



306 Runville Road Bellefonte, PA 16823
814-933-0927
info@robinsontanks.com

Table of Contents

“SC” Series Slide-In Vacuum Tank Standard Features	2 -
“SC” Series - Rear Engine	3 -
Standard Options – “SC” Series – Rear Engine	4 -
Premium Options – “SC” Series – Rear Engine	5 -
“SC” Series – Side Engine, Conventional Mount	6 -
Standard Options – “SC” Series – Side Engine.....	7 -
Premium Options – “SC” Series – Side Engine	8 -
“SC” Series – Side Engine, Transverse	9 -
Standard Options – “SC” Series – Transverse.....	10 -
Premium Options – “SC” Series – Transverse	11 -



306 Runville Road Bellefonte, PA 16823
814-933-0927
info@robinsontanks.com

SC Series Slide-In Vacuum Tank Standard Features

- 5454-H32 Marine grade mill finish aluminum
- 3 configurations to choose from:
 - "RE" – Pump located on rear (end) side of tank
 - "SE" – Pump located on side of tank and set up for conventional mount
 - "TV" – Pump located on side of tank and set up for transverse mount
- 8" X 2" NVE low profile primary with stainless steel ball and cage
- 3" Discharge with 3" full port poly ball valve, male camlock and dust cap
- 3" Top nipple with 2" adapter for Tigertail Suction hose
- (2) 2" Sight eyes in rear Head
- Half-moon style hose hook suction hose
- Hose hook for wash down hose
- (1) Work light
- Full length fork lift pockets
- Conde Super 6 (70 CFM) vacuum/pressure pump
- Shurflo 12v wash down pump
- 2" MZ plastic secondary
- 2" Diamond plate aluminum oil trap
- 2" Bucket fill with 2" straight male camlock fitting
- 2" x 30' Tigertail suction hose with 2" full port 90 degree valve and 30" schedule 80 PVC wand
- ½" x 50' wash down hose with spray nozzle
- 12v battery
- All units come with a kit that contains: (1) 2" 90 male camlock for option to replace straight camlock on bucket fill, (20') of red 6 gauge battery cable for option to wire battery on unit to truck battery, (1) 2" female camlock to garden hose adapter for fresh water fill through bucket fill

Notes:

1) Any "SC" single compartment model deletes the following items: Wash down hose and spray nozzle, 12v wash down pump, bucket fill, garden hose hook, sight tube, vent, strainer, fresh plumbing.

2) Transverse, side engine tanks come standard with dual service prep by including a right side hose hooks for both suction hose and washdown hose, 3" top nipple with cap for waste inlet. The base model does not include any hoses and are add-ons (see options in transverse section)

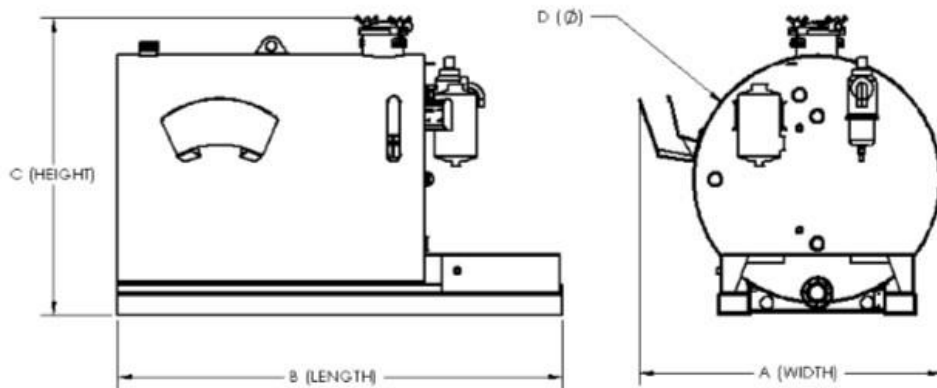


306 Runville Road Bellefonte, PA 16823
814-933-0927
info@robinsontanks.com

SC Series - Rear Engine

Model	Capacity	Description	Net Price
SI-300SC-1C-RE-01	300	300 Gallon, single comp, standard features	\$7,995
SI-300SC-2C-RE-01	300	200 Waste x 100 fresh, two comp, standard features	\$8,295
SI-450SC-1C-RE-01	450	450 Gallon, single comp, standard features	\$8,095
SI-450SC-2C-RE-01	450	300 Waste x 150 fresh, two comp, standard features	\$8,395
SI-600SC-1C-RE-01	600	600 Gallon, single comp, standard features	\$9,095
SI-600SC-2C-RE-01	600	400 Waste x 200 fresh, two comp, standard features	\$9,395
SI-800SC-1C-RE-01	800	800 Gallon, single comp, standard features	\$10,095
SI-800SC-2C-RE-01	800	540 Waste x 260 fresh, two comp, standard features	\$10,395

All "SC" Series, rear engine models are kept in stock both with and without pumps.



Capacity	A	B	C	D	Weight (Super 6)
300 Gallon	57"	75"	53"	44"	830 lbs.
300 Shipping	60"	77"	59"	X	1,000 lbs.
450 Gallon	60"	87"	58"	48"	930 lbs.
450 Shipping	65"	89"	64"	X	1,225 lbs.
600 Gallon	66"	99"	61"	50"	1,090 lbs.
600 Shipping	69"	102"	67"	X	1,400 lbs.
800 Gallon	69"	111"	61"	54"	1,340 lbs.
800 Shipping	73"	113"	67"	X	1,650 lbs.



306 Runville Road Bellefonte, PA 16823
 814-933-0927
 info@robinsontanks.com

Standard Options – SC Series Rear Engine

Standard Options (Add all prices to base tank price)	
Vacuum Pump Options	
Description	Net Price
Gas Motor Options	
Conde SDS 6 (115 CFM) belt driven by Honda 9 HP gas motor, electric start	\$700
Conde SDS 6 (115 CFM) direct driven by Honda 9 HP gas motor, electric start	\$1,020
Conde SDS 12 (180 CFM) belt driven by Honda 13 HP gas motor, electric start	\$1,485
Conde SDS Ultra (230 CFM) belt driven by Vanguard 18 HP gas motor, electric start (may require customization on some tank models)	\$2,950
Masport HXL2V (76 CFM) direct driven by Honda 5.5 HP gas motor, electric start	\$300
Masport HXL3V (106 CFM) direct driven by Honda 9 HP gas motor, electric start	\$1,500
Jurop PN23 (92 CFM) direct driven by Honda 8 HP gas motor, electric start	\$1,400
Diesel Motor Options	
Conde Super 6 (70 CFM) belt driven by 6 HP Yanmar diesel motor, electric start	\$2,600
Conde SDS 6 (115 CFM) belt driven by 10 HP Yanmar diesel motor, electric start	\$3,200
Conde SDS 12 (180 CFM) belt driven by 10 HP Yanmar diesel motor, electric start	\$3,700
Suction Hose Options	
2" x 40' Tigertail hose with right angle valve and wand	\$40
2" x 50' Tigertail hose with right angle valve and wand	\$70
Water Pump Options	
Change to 12v Shurflo Powertwin – (6.25 GPM Open flow, 45 PSI Demand switch)	\$150
Misc. Options	
Delete all work ready components from tank – Tank would still include fresh sight tube, waste sight eyes, and fresh vent (to ensure it doesn't get capped or plugged). Everything else will be deleted. Deleted item summary: Vacuum pump, water pump, washdown hose, entire inlet assembly from first poly fitting on top of tank to wand on end of Tigertail, discharge would end in aluminum TTMA, fresh discharge ending in 2" coupler, no electrical components. **If customer wants additional components as part of order you must order the base tank with this option and then line item each individual item on your PO to ensure accuracy of what the customer does and does not want. All additional parts will be shipped loose with nothing pre-installed, no exceptions**	2 Comp. Tank \$(-2,800) 1 Comp. Tank \$(-2,500)



306 Runville Road Bellefonte, PA 16823
814-933-0927
info@robinsontanks.com

Premium Options – SC Series Rear Engine

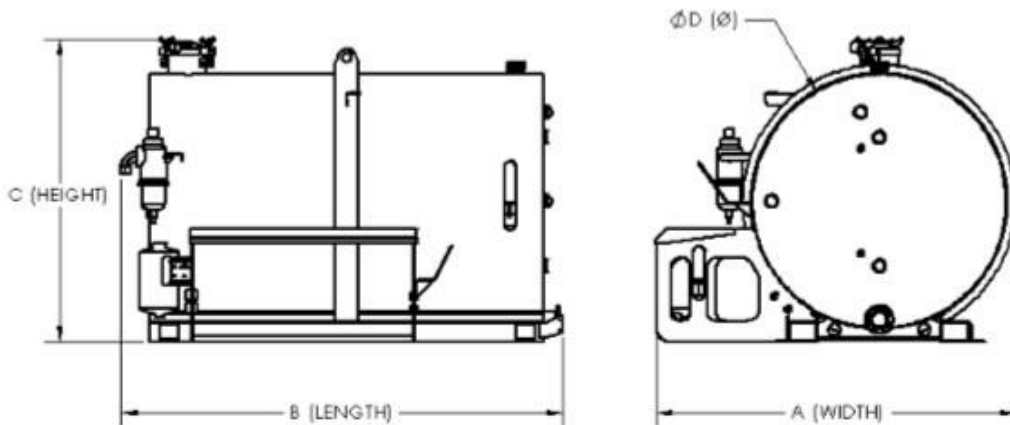
“SC” Series – Rear Engine (All pricing below is base charge + option price) <i>Note: Any option not listed below will be quoted separately. These quotes will only be good for the job in question and will not carry forward. No guarantee is made that all requests will be granted.</i>	
Base charge – Includes moving & relocation of any standard components. If past drawing number (DWGxxxxxx) is able to be referenced base charge will be waived.	\$300
Tank Options	
Make tank dual service - (Includes suction and wash down hose hooks on right side, 3" T for top inlet, T for wash down pump, 30' x 2" Tigertail with right angle valve and wand, 50' x 5/8 wash down hose with spray nozzle)	\$550
Move hose hooks above pump on rear of tank – (Deletes standard suction and wash down hose hooks, Adds shield to go above pump with new hose hooks)	\$500
Move hooks to opposite side and delete left side hooks	\$0
Add 2 nd suction hose hook to opposite side – Does not include suction hose or any fittings	\$100
Add 2 nd washdown hose hook to opposite side – Does not include washdown hose or any fittings	\$75
Modify tank dimensions and capacities – (Not to exceed 800 total gallons, must be approved by engineering)	\$350
Additional 2" sight glass (each)	\$50
Delete 2" sight glass (each)	\$(-50)
Add 5" Sight glass (each)	\$100
Change primary to 20" x 2" NPT primary	\$300
Add 12" portal in addition to standard primary	\$500
Add toolbox – (Includes 30w x 30t x 18d aluminum toolbox, mill finish door, with shelf and compartment matting. Located on right side of tank. Other locations quoted separately. Deduct \$25 for no matting)	\$525
Add polished toolbox – (Same box and conditions as above with polished aluminum door. Deduct \$25 for no matting)	\$600
Wash Down System	
Add 50' Spring rewind hose reel – (Includes required mounting bracket, hose reel, deletes wash down hose hook and wash down hose)	\$600
Change water pump to DC10 – (requires customer to wire to battery of truck, includes required mounting bracket and additional plumbing, deletes Shurflo 12v)	\$700



306 Runville Road Bellefonte, PA 16823
 814-933-0927
 info@robinsontanks.com

SC Series – Side Engine, Conventional Mount

Model	Capacity	Description	Net Price
SI-600SC-1C-SE-01	600	600 Gallon, single comp, standard features	\$9,095
SI-600SC-2C-SE-01	600	400 Waste x 200 fresh, two comp, standard features	\$9,395
SI-800SC-1C-SE-01	800	800 Gallon, single comp, standard features	\$10,095
SI-800SC-2C-SE-01	800	540 Waste x 260 fresh, two comp, standard features	\$10,395



Capacity	A	B	C	D	Weight (Super 6)
600 Gallon	75"	87"	61"	50"	1,090 lbs.
600 Shipping	75"	76"	61"	X	1,400 lbs.
800 Gallon	77"	107"	69"	54"	1,340 lbs.
800 Shipping	77"	95"	69"	X	1,650 lbs.



306 Runville Road Bellefonte, PA 16823
 814-933-0927
 info@robinsontanks.com

Standard Options – SC Series Side Engine

Standard Options (Add all prices to base tank price)	
Vacuum Pump Options	
Description	Net Price
Gas Motor Options	
Conde SDS 6 (115 CFM) belt driven by Honda 9 HP gas motor, electric start	\$700
Conde SDS 6 (115 CFM) direct driven by Honda 9 HP gas motor, electric start	\$1,020
Conde SDS 12 (180 CFM) belt driven by Honda 13 HP gas motor, electric start – (requires moving of oiler)	\$1,800
Masport HXL2V (76 CFM) direct driven by Honda 5.5 HP gas motor, electric start	\$300
Masport HXL3V (106 CFM) direct driven by Honda 9 HP gas motor, electric start	\$1,500
Jurop PN23 (92 CFM) direct driven by Honda 8 HP gas motor, electric start	\$1,400
Diesel Motor Options	
Conde Super 6 (70 CFM) belt driven by 6 HP Yanmar diesel motor, electric start	\$2,900
Conde SDS 6 (115 CFM) belt driven by 10 HP Yanmar diesel motor, electric start	\$3,500
Conde SDS 12 (180 CFM) belt driven by 10 HP Yanmar diesel motor, electric start	\$4,000
Suction Hose Options	
2" x 40' Tigertail hose with right angle valve and wand	\$40
2" x 50' Tigertail hose with right angle valve and wand	\$70
Water Pump Options	
Change to 12v Shurflo Powertwin – (6.25 GPM Open flow, 45 PSI Demand switch)	\$150
Misc. Options	
Delete all work ready components from tank – Tank would still include fresh sight tube, waste sight eyes, and fresh vent (to ensure it doesn't get capped or plugged). Everything else will be deleted. Deleted item summary: Vacuum pump, water pump, washdown hose, entire inlet assembly from first poly fitting on top of tank to wand on end of Tigertail, discharge would end in aluminum TTMA, fresh discharge ending in 2" coupler, no electrical components. **If customer wants additional components as part of order you must order the base tank with this option and then line item each individual item on your PO to ensure accuracy of what the customer does and does not want. All additional parts will be shipped loose with nothing pre-installed**	2 Comp. Tank \$(-2,800) 1 Comp. Tank \$(-2,500)



306 Runville Road Bellefonte, PA 16823
814-933-0927
info@robinsontanks.com

Premium Options – SC Series Side Engine

“SC” Series – Side Engine (All pricing below is base charge + option price) <i>Note: Any option not listed below will be quoted separately. These quotes will only be good for the job in question and will not carry forward. No guarantee is made that all requests will be granted.</i>	
Base charge – Includes moving & relocation of any standard components. If past drawing number (DWGxxxxxx) is able to be referenced base charge will be waived.	\$300
Tank Options	
Make tank dual service [†] - (Includes suction and wash down hose hooks on right side, 3” T for top inlet, T for wash down pump, 30’ x 2” Tigertail with right angle valve and wand, 50’ x 5/8 wash down hose with spray nozzle)	\$550
Move hooks to opposite side and delete left side hooks [†]	\$0
Add 2 nd suction hose hook to opposite side – Does not include suction hose or any fittings [†]	\$100
Add 2 nd washdown hose hook to opposite side – Does not include washdown hose or any fittings [†]	\$75
Modify tank dimensions and capacities – (Not to exceed 800 total gallons, must be approved by engineering)	\$350
Additional 2” sight glass (each)	\$50
Delete 2” sight glass (each)	\$(-50)
Add 5” Sight glass (each)	\$100
Change primary to 20” x 2” NPT primary	\$300
Add 12” portal in addition to standard primary	\$500
Add toolbox – (Includes 30w x 30t x 18d aluminum toolbox, mill finish door, with shelf and compartment matting. Located on right side of tank. Other locations quoted separately. Deduct \$25 for no matting)	\$525
Add polished toolbox – (Same box and conditions as above with polished aluminum door. Deduct \$25 for no matting)	\$600
Wash Down System	
Add 50’ Spring rewind hose reel – (Includes hose reel, deletes wash down hose hook and wash down hose, increases width of engine compartment)	\$700
Change water pump to DC10 – (requires customer to wire to battery of truck, includes required mounting bracket and additional plumbing, deletes Shurflo 12v)	\$700

[†] Adding components to right side of tank may make it too wide to ship LTL and may require different shipping methods



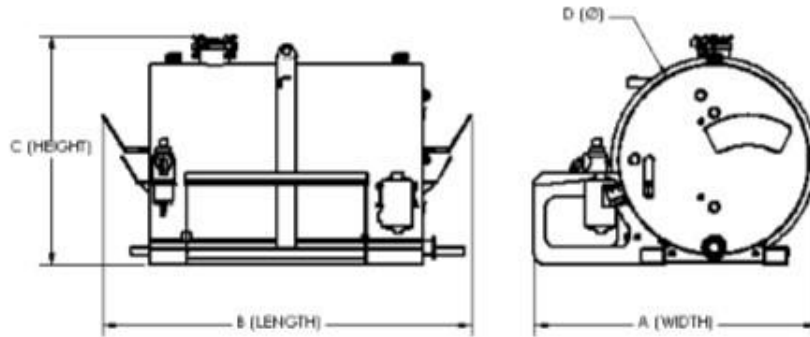
306 Runville Road Bellefonte, PA 16823
814-933-0927
info@robinsontanks.com

SC Series – Side Engine, Transverse

Note 2 on the ““SC” Series Slide-In Vacuum Tank Standard Features” pertains to these models.

Model	Capacity	Description	Net Price
SI-300SC-1C-TV-01	300	300 Gallon, single comp, standard features	\$8,125
SI-300SC-2C-TV-01	300	200 Waste x 100 fresh, two comp, standard features	\$8,425
SI-450SC-1C-TV-01	450	450 Gallon, single comp, standard features	\$8,225
SI-450SC-2C-TV-01	450	300 Waste x 150 fresh, two comp, standard features	\$8,525
SI-600SC-1C-TV-01	600	600 Gallon, single comp, standard features	\$9,225
SI-600SC-2C-TV-01	600	400 Waste x 200 fresh, two comp, standard features	\$9,525
SI-800SC-1C-TV-01 [‡]	800	800 Gallon, single comp, standard features	\$10,225
SI-800SC-2C-TV-01 [‡]	800	540 Waste x 260 fresh, two comp, standard features	\$10,525

As with all tank models, some vacuum pumps may extend outside the pump stand. The transverse models should be especially paid attention to as this may interfere with objects that will sit behind the tank on the truck.



Capacity	A	B	C	D	Weight (Super 6)
300 Gallon	70"	76"	54"	44"	830 lbs.
300 Shipping	70"	73"	54"	X	1,000 lbs.
450 Gallon	71"	88"	58"	48"	930 lbs.
450 Shipping	71"	85"	58"	X	1,225 lbs.
600 Gallon	75"	100"	61"	50"	1,090 lbs.
600 Shipping	75"	97"	61"	X	1,400 lbs.
800 Gallon	77"	112"	69"	54"	1,340 lbs.
800 Shipping	77"	109"	69"	X	1,650 lbs.

[‡] 800SC transverse units will be over 102" wide. Customer must sign off saying that they know and understand this.



306 Runville Road Bellefonte, PA 16823
814-933-0927
info@robinsontanks.com

Standard Options – SC Series Transverse

Standard Options (Add all prices to base tank price)	
Vacuum Pump Options	
Description	Net Price
Gas Motor Options	
Conde SDS 6 (115 CFM) belt driven by Honda 9 HP gas motor, electric start	\$700
Conde SDS 6 (115 CFM) direct driven by Honda 9 HP gas motor, electric start	\$1,020
Conde SDS 12 (180 CFM) belt driven by Honda 13 HP gas motor, electric start – (requires moving of oiler)	\$1,800
Masport HXL2V (76 CFM) direct driven by Honda 5.5 HP gas motor, electric start	\$300
Masport HXL3V (106 CFM) direct driven by Honda 9 HP gas motor, electric start	\$1,500
Jurop PN23 (92 CFM) direct driven by Honda 8 HP gas motor, electric start	\$1,400
Diesel Motor Options	
Conde Super 6 (70 CFM) belt driven by 6 HP Yanmar diesel motor, electric start	\$2,900
Conde SDS 6 (115 CFM) belt driven by 10 HP Yanmar diesel motor, electric start	\$3,500
Conde SDS 12 (180 CFM) belt driven by 10 HP Yanmar diesel motor, electric start	\$4,000
Suction Hose Options	
2" x 40' Tigertail hose with right angle valve and wand	\$40
2" x 50' Tigertail hose with right angle valve and wand	\$70
Water Pump Options	
Change to 12v Shurflo Powertwin – (6.25 GPM Open flow, 45 PSI Demand switch)	\$150
Misc. Options	
Delete all work ready components from tank – Tank would still include fresh sight tube, waste sight eyes, and fresh vent (to ensure it doesn't get capped or plugged). Everything else will be deleted. Deleted item summary: Vacuum pump, water pump, washdown hose, entire inlet assembly from first poly fitting on top of tank to wand on end of Tigertail, discharge would end in aluminum TTMA, fresh discharge ending in 2" coupler, no electrical components. **If customer wants additional components as part of order you must order the base tank with this option and then line item each individual item on your PO to ensure accuracy of what the customer does and does not want. All additional parts will be shipped loose with nothing pre-installed**	2 Comp. Tank \$(-2,800) 1 Comp. Tank \$(-2,500)
Make Dual Service – (Includes 30' x 2" Tigertail, right angle valve and wand, 5/8 x 50' washdown hose with spray nozzle)	\$335



306 Runville Road Bellefonte, PA 16823
 814-933-0927
 info@robinsontanks.com

Premium Options – SC Series Transverse

“SC” Series – Transverse (All pricing below is base charge + option price) <i>Note: Any option not listed below will be quoted separately. These quotes will only be good for the job in question and will not carry forward. No guarantee is made that all requests will be granted.</i>	
Base charge – Includes moving & relocation of any standard components. If past drawing number (DWGxxxxxx) is able to be referenced base charge will be waived.	\$300
Tank Options	
Make tank dual service - (Includes suction and wash down hose hooks on right side, 3” T for top inlet, T for wash down pump, 30’ x 2” Tigertail with right angle valve and wand, 50’ x 5/8 wash down hose with spray nozzle)	\$550
Delete right side hose hooks and inlet	\$0
Modify tank dimensions and capacities – (Not to exceed 800 total gallons, must be approved by engineering)	\$350
Additional 2” sight glass (each)	\$50
Delete 2” sight glass (each)	\$(-50)
Add 5” Sight glass (each)	\$100
Change primary to 20” x 2” NPT primary	\$300
Add 12” portal in addition to standard primary	\$500
Wash Down System	
Add 50’ Spring rewind hose reel – (Includes hose reel, deletes wash down hose hook and wash down hose, increases width of engine compartment. The 300 model will have reel mounted on outside of engine compartment)	\$700
Change water pump to DC10 – (requires customer to wire to battery of truck, includes required mounting bracket and additional plumbing, deletes Shurflo 12v)	\$700