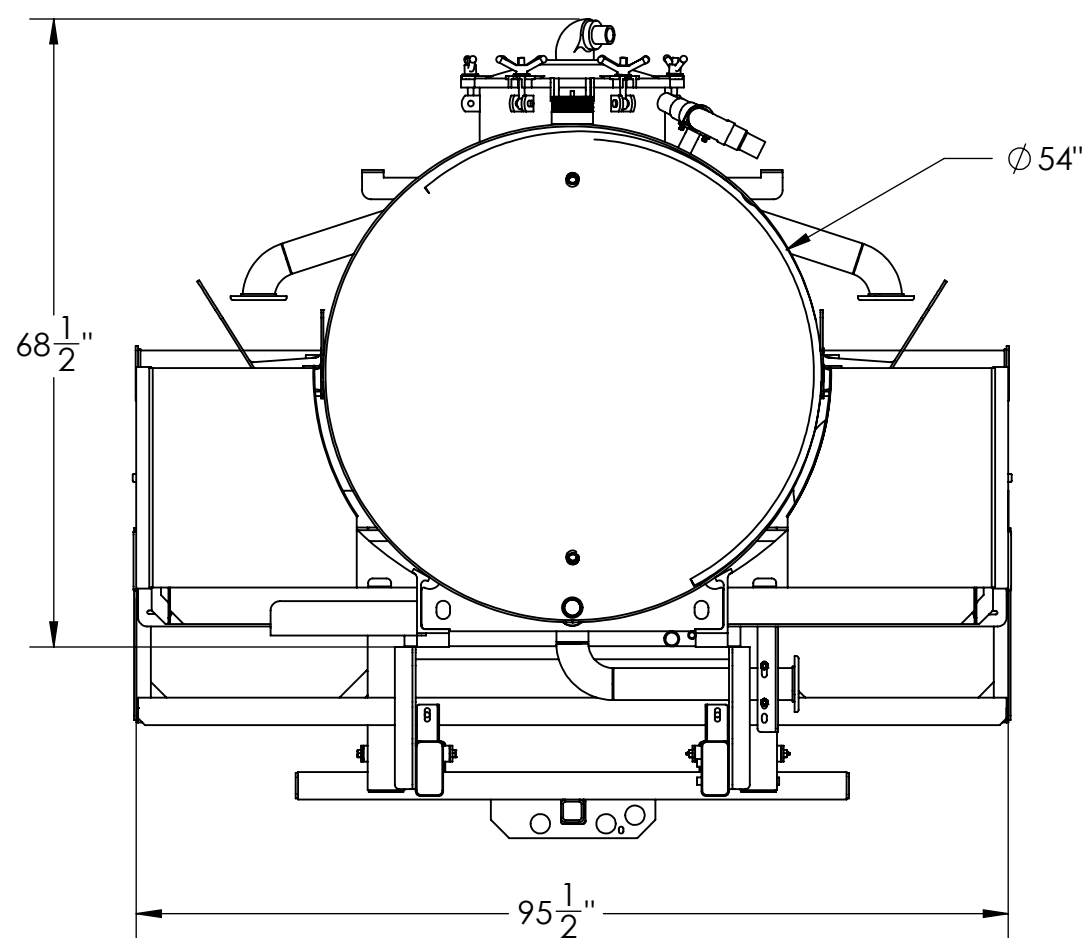
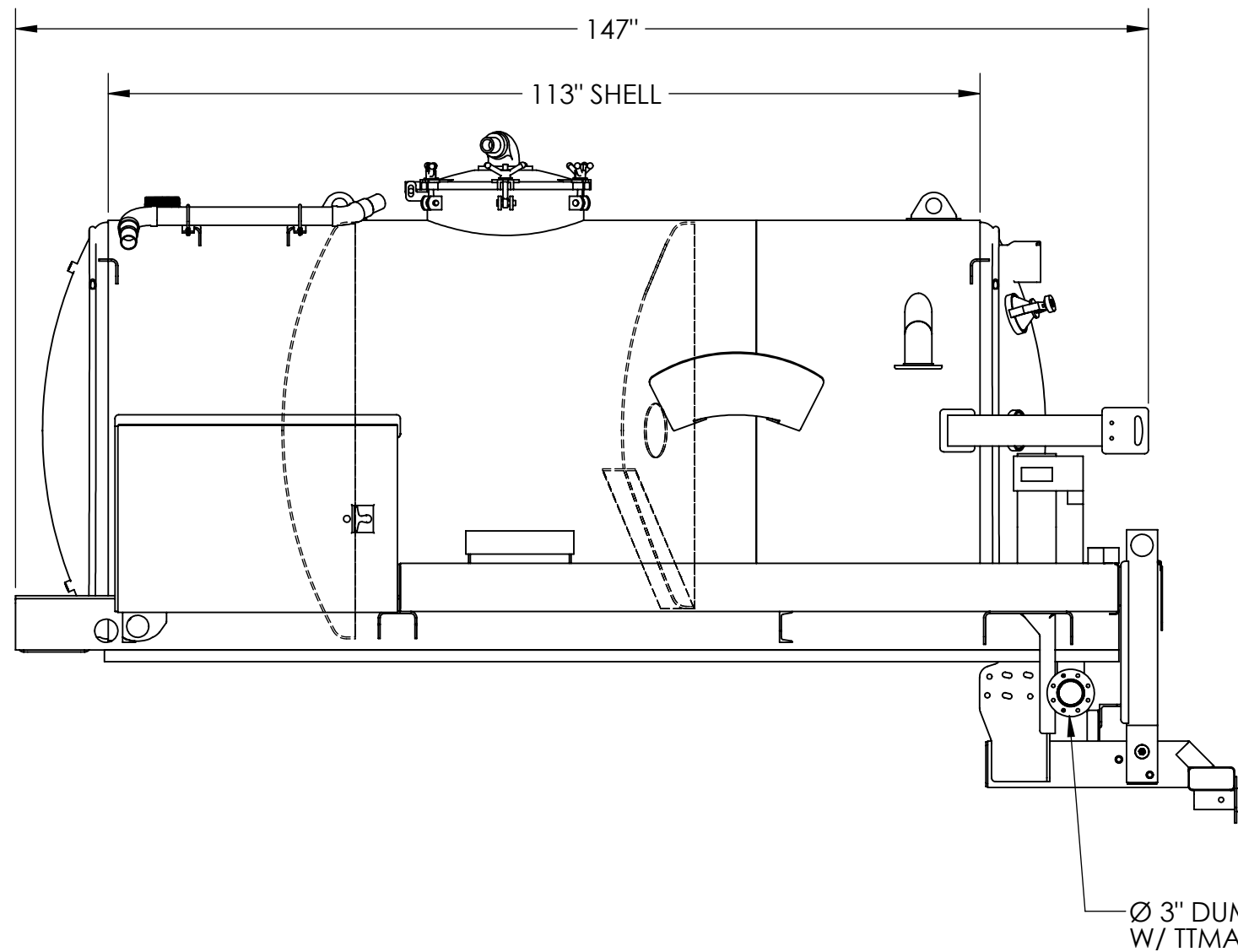


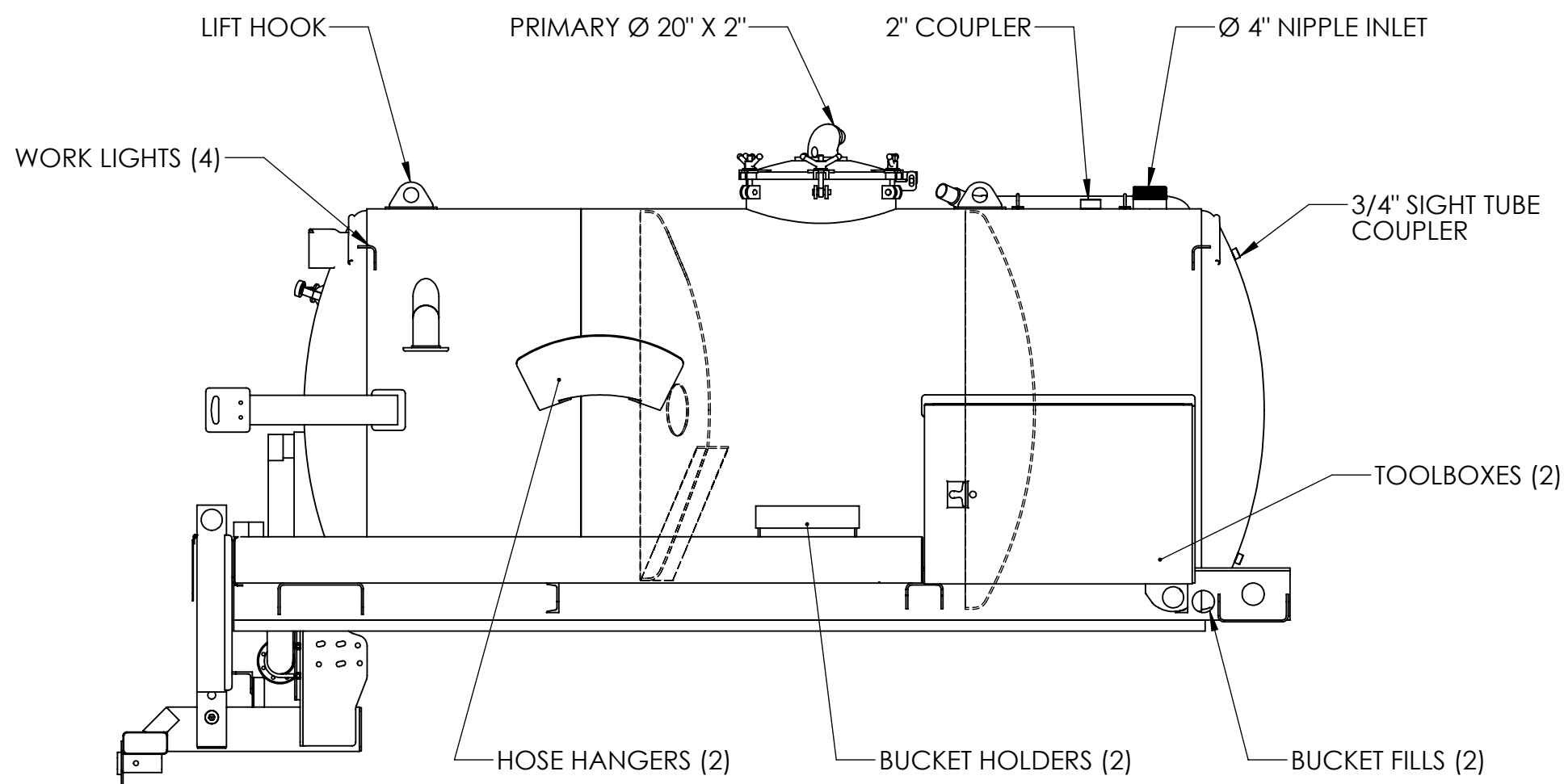
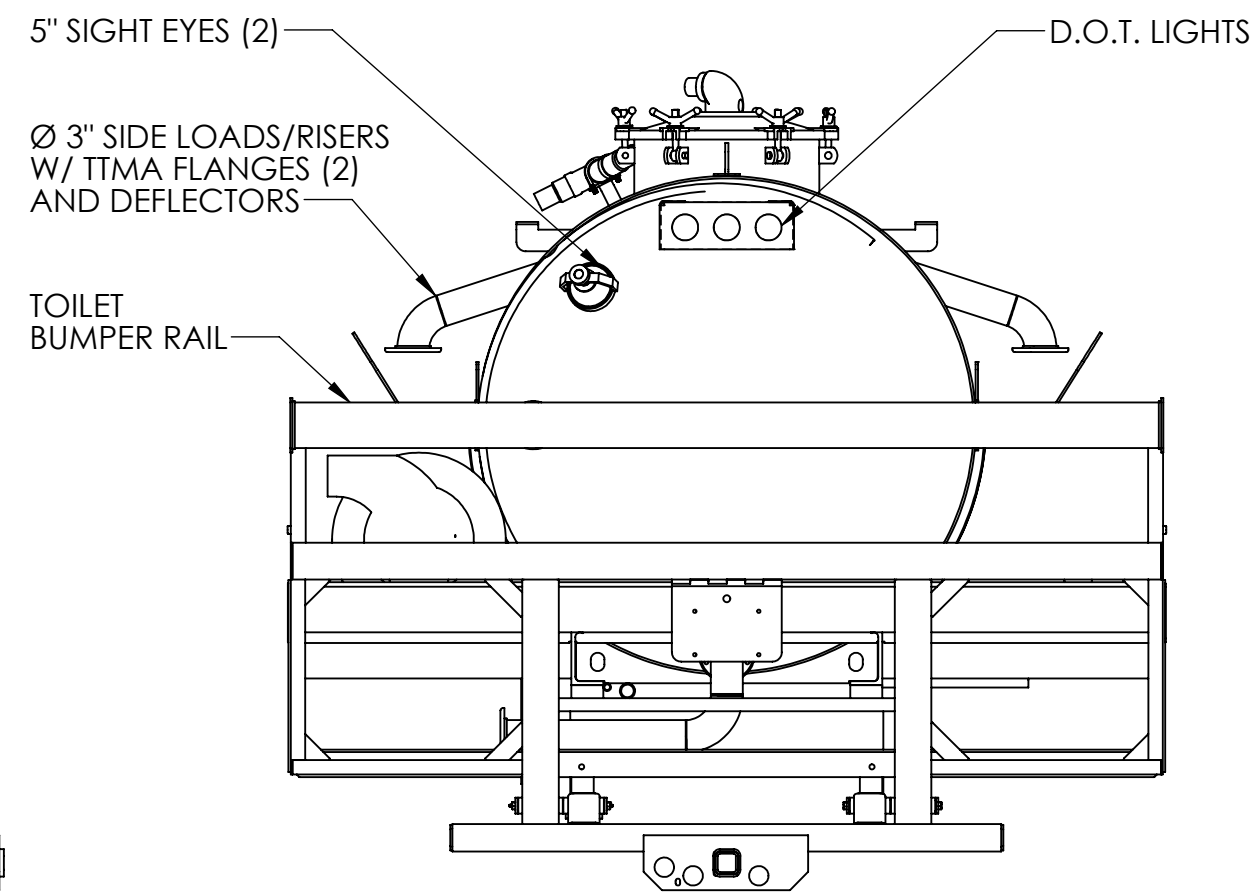
FRONT VIEW



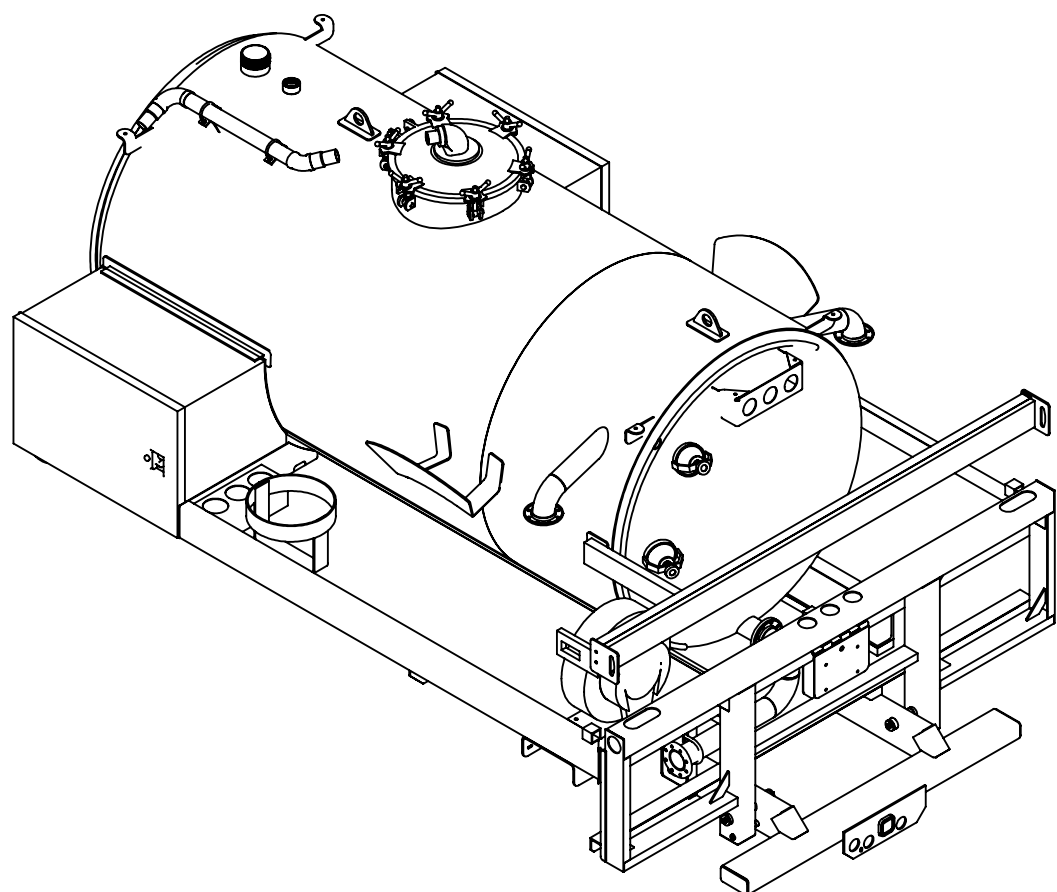
LEFT SIDE VIEW



REAR VIEW



RIGHT SIDE VIEW



DATE:

SIGNATURE:

THIS CUSTOMER DRAWING CONTAINS BASIC DIMENSIONS. CONTACT US FOR MORE INFORMATION.

PROPRIETARY AND CONFIDENTIAL
THE INFORMATION CONTAINED IN THIS DRAWING IS THE SOLE PROPERTY OF ROBINSON VACUUM TANKS, INC. ANY REPRODUCTION IN PART OR AS A WHOLE WITHOUT THE WRITTEN PERMISSION OF ROBINSON VACUUM TANKS, INC. IS PROHIBITED.

FILE NAME: VT-1200-2C-54D-01A

TITLE: 1200 GALLON (900/300) - PRT - DUAL SERVICE

SIZE DWG. NO. C DWG100007A

SCALE: 1:21 WEIGHT: SHEET 1 OF 1