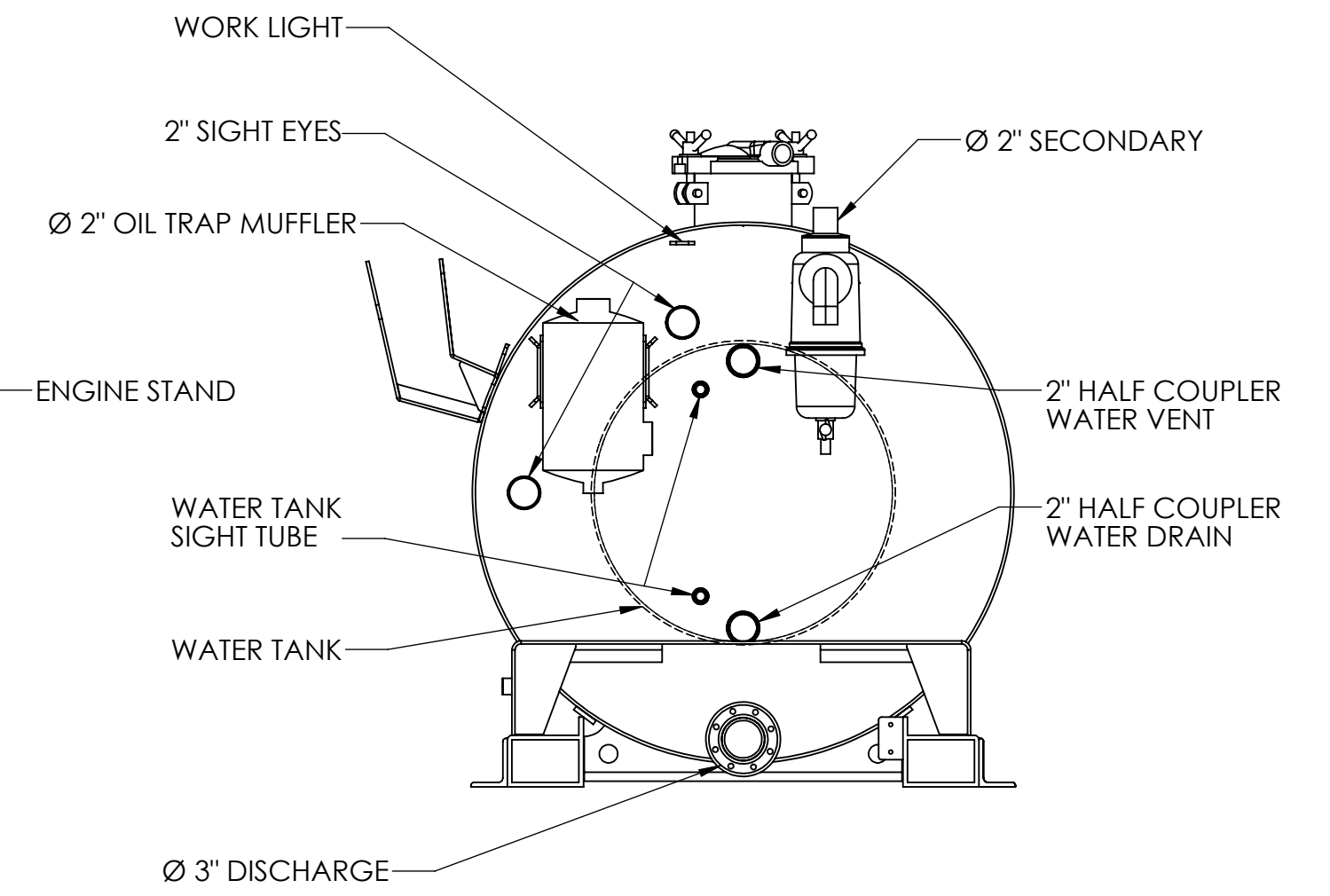
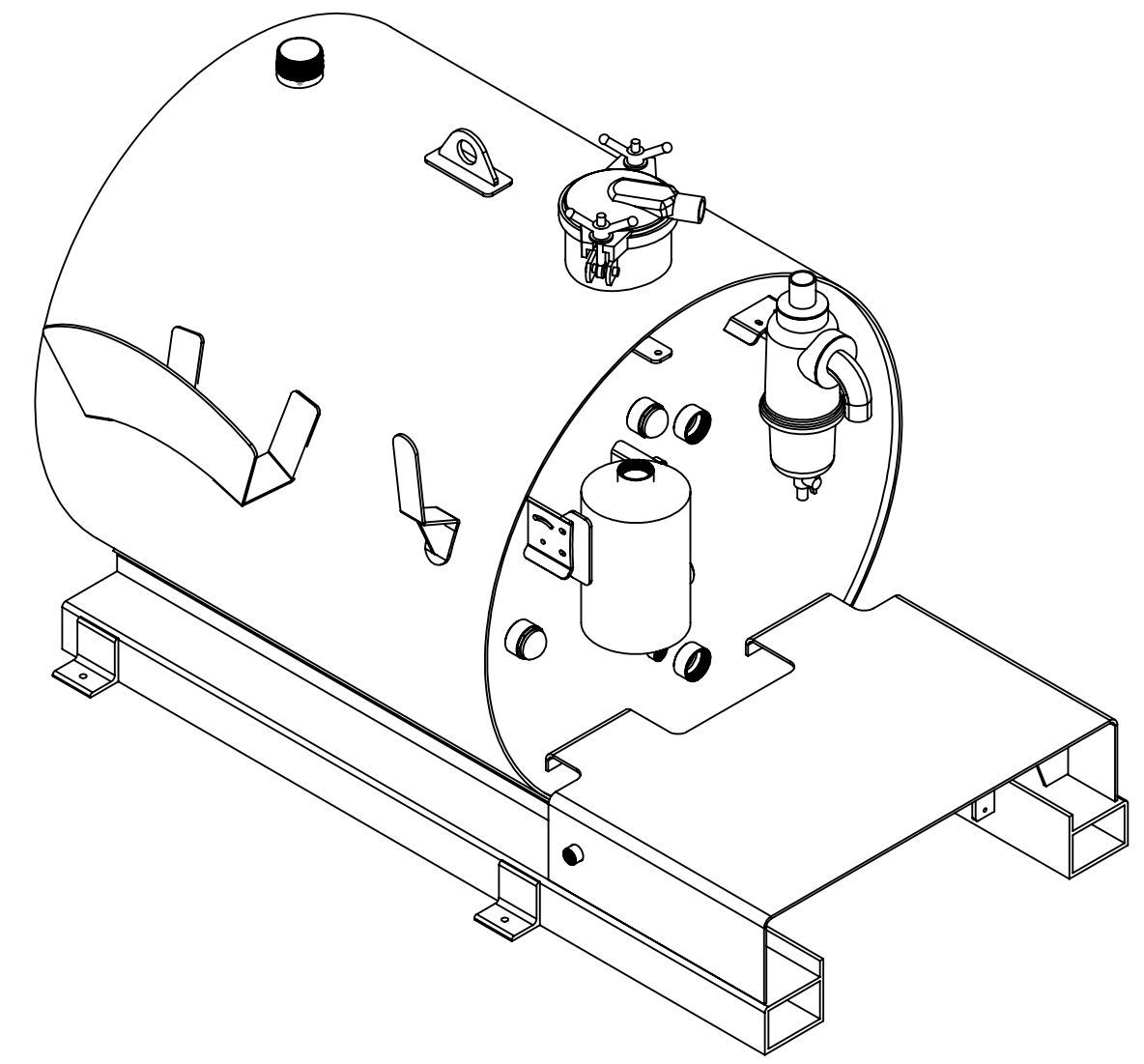
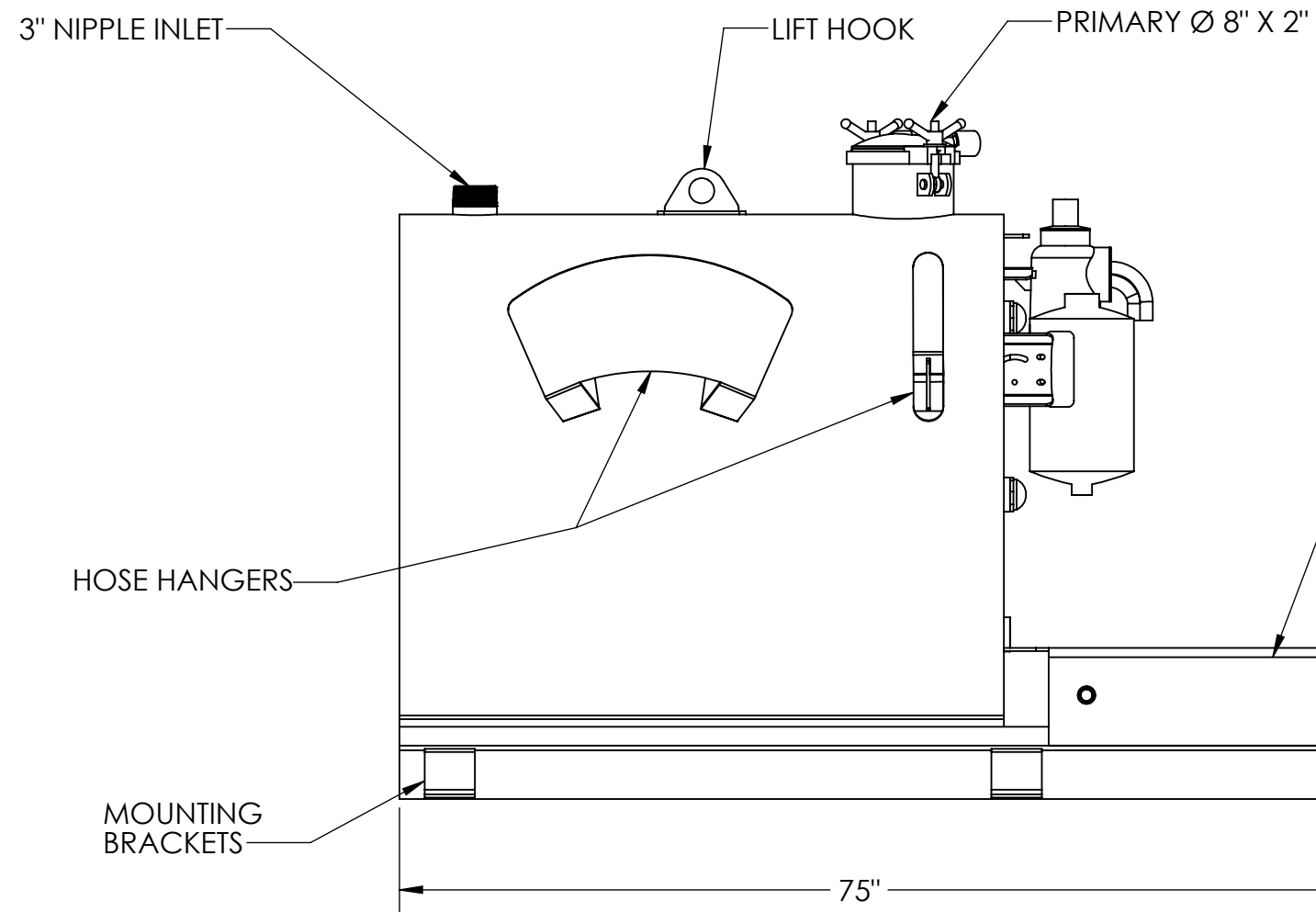
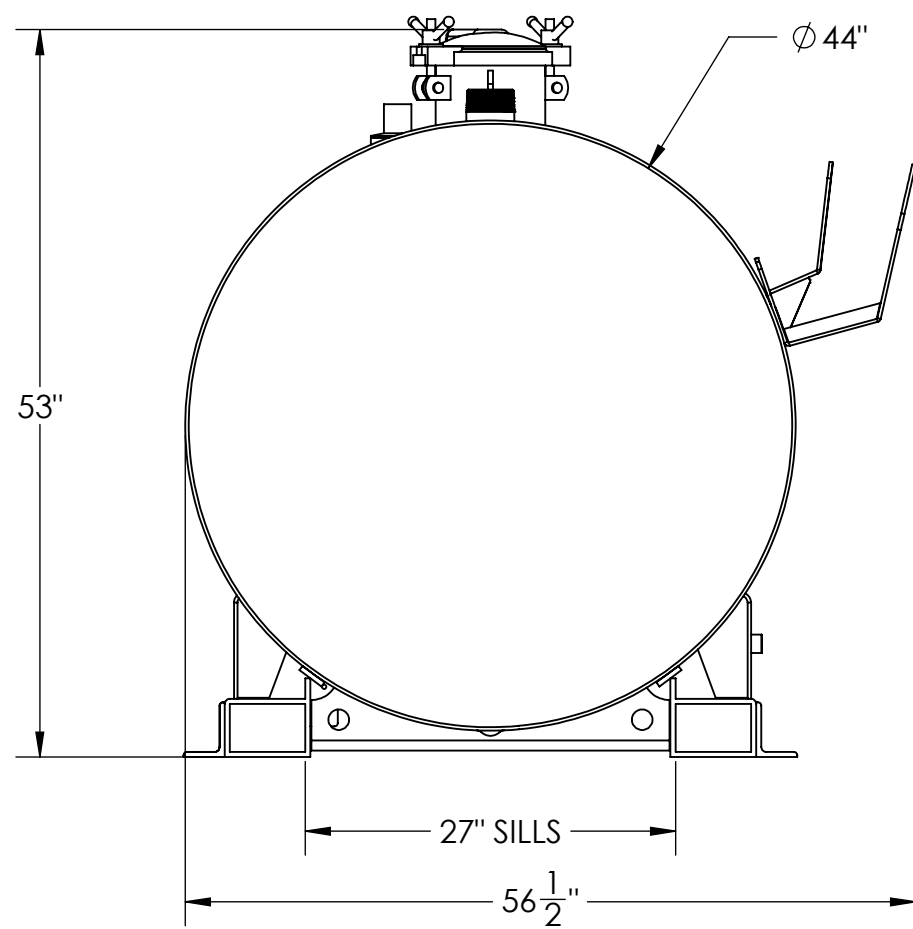


8 7 6 5 4 3 2 1

F E D C B A



A



DATE: \_\_\_\_\_  
SIGNATURE: \_\_\_\_\_

THIS CUSTOMER DRAWING CONTAINS BASIC DIMENSIONS. CONTACT US FOR MORE INFORMATION.  
PROPRIETARY AND CONFIDENTIAL  
THE INFORMATION CONTAINED IN THIS DRAWING IS THE SOLE PROPERTY OF ROBINSON VACUUM TANKS, INC. ANY REPRODUCTION IN PART OR AS A WHOLE WITHOUT THE WRITTEN PERMISSION OF ROBINSON VACUUM TANKS, INC. IS PROHIBITED.

CHECKED BY:	DATE:
DRAWN BY: JCK	DATE: 1/13/16
FILE NAME: SC300-2C-RE-01A	
TITLE: VAC TANK, SC300, 200X100 GAL, RE	
SIZE DWG. NO. C DWG100046A	
SCALE: 1:14 WEIGHT:	SHEET 1 OF 1

8 7 6 5 4 3 2 1