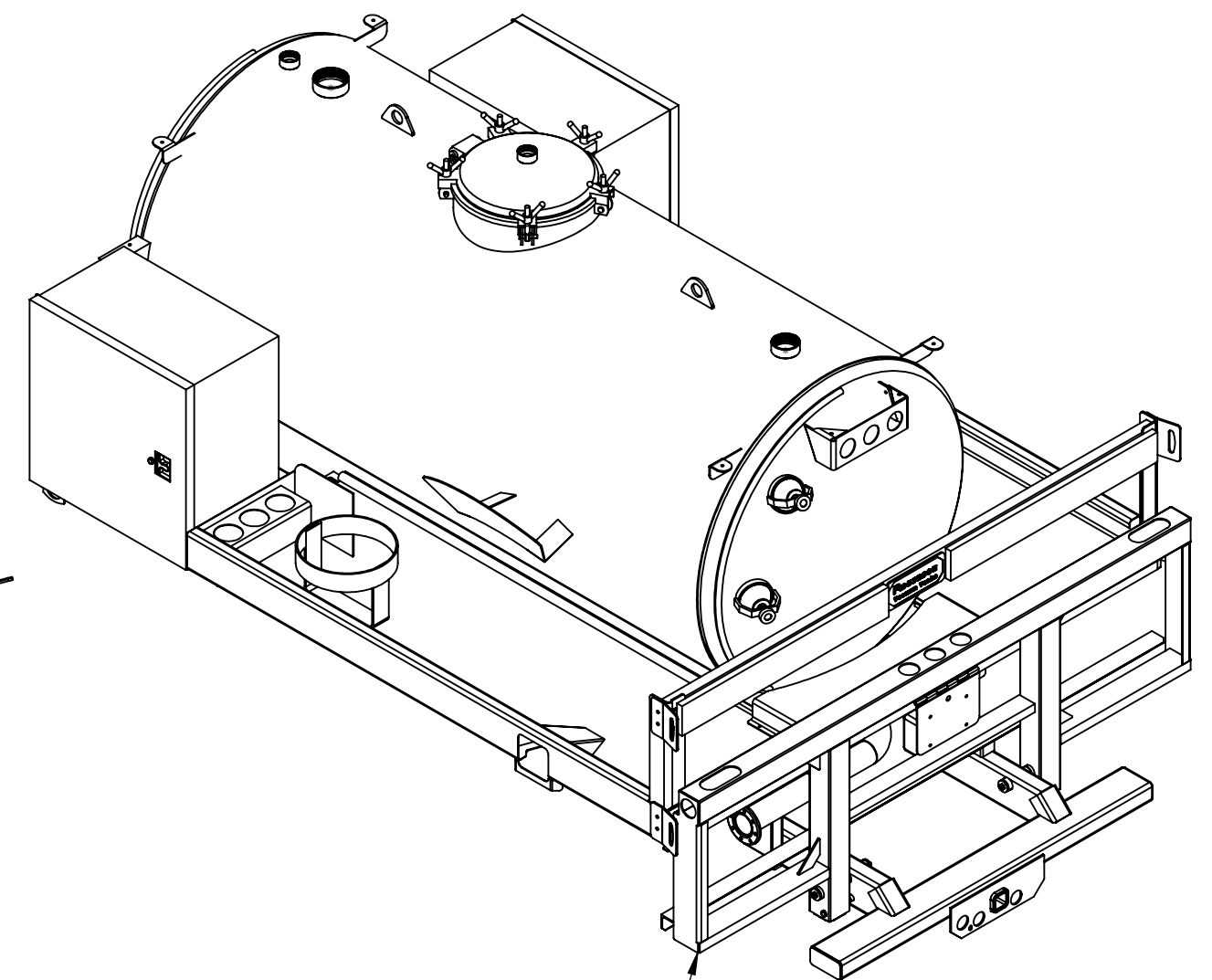
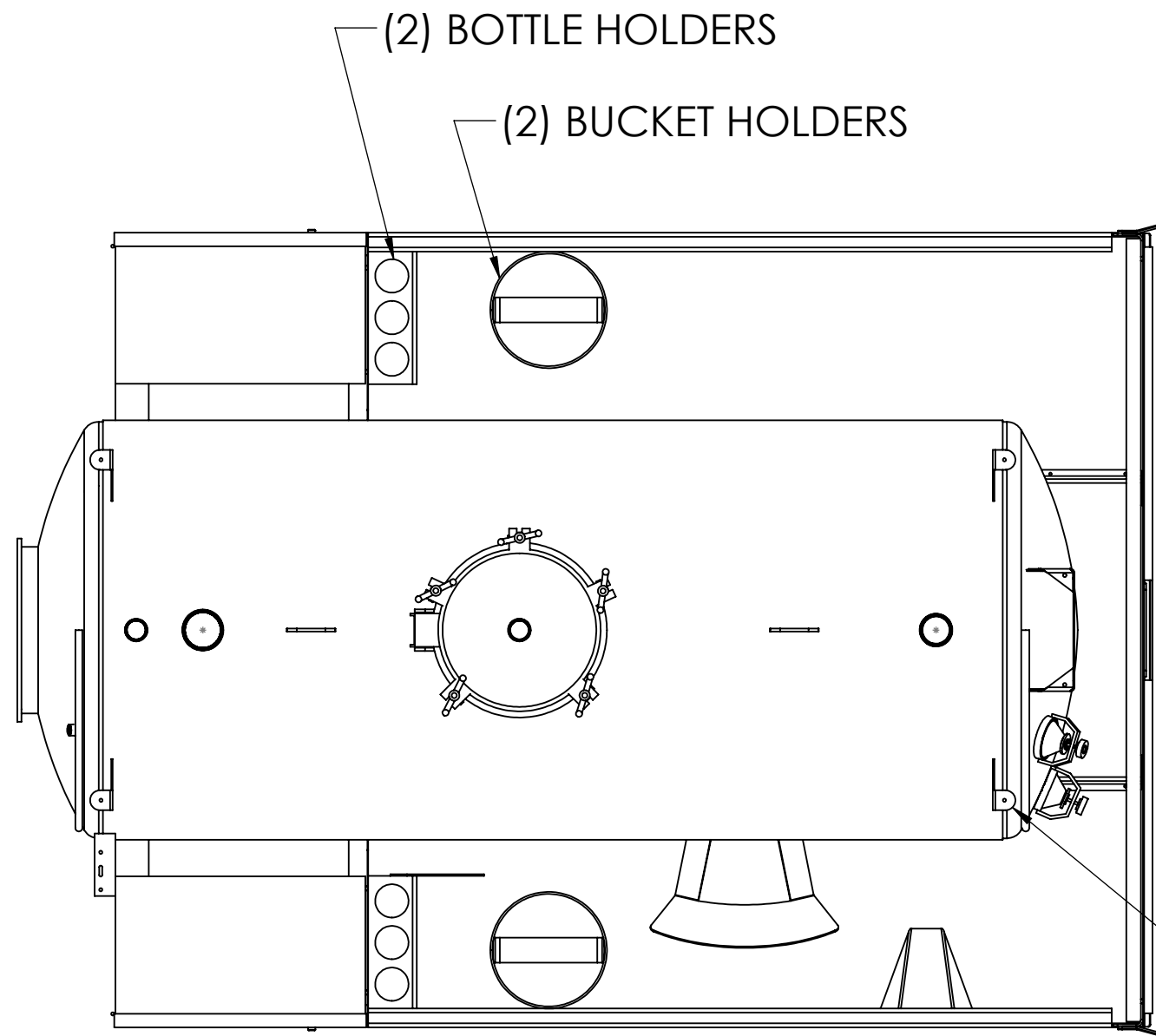
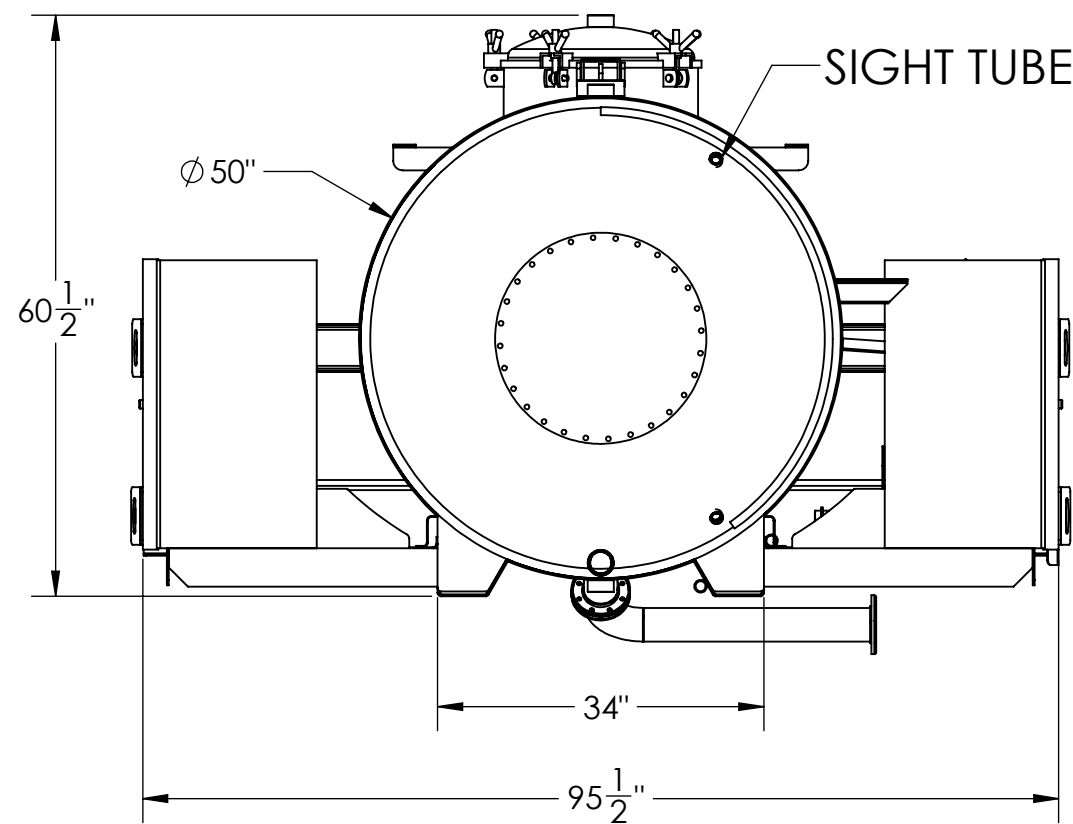


TOP VIEW

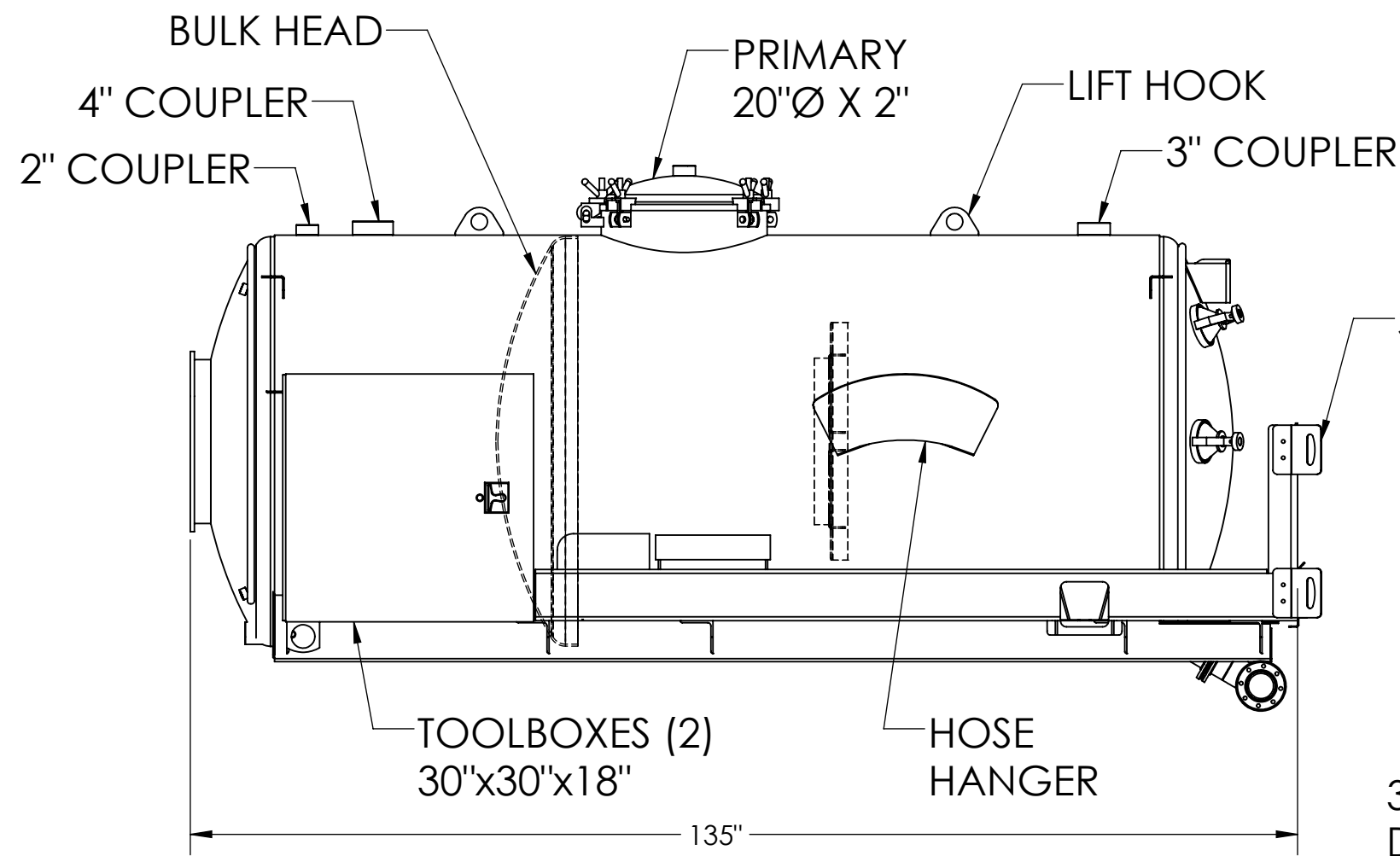


TOILET BUMPER

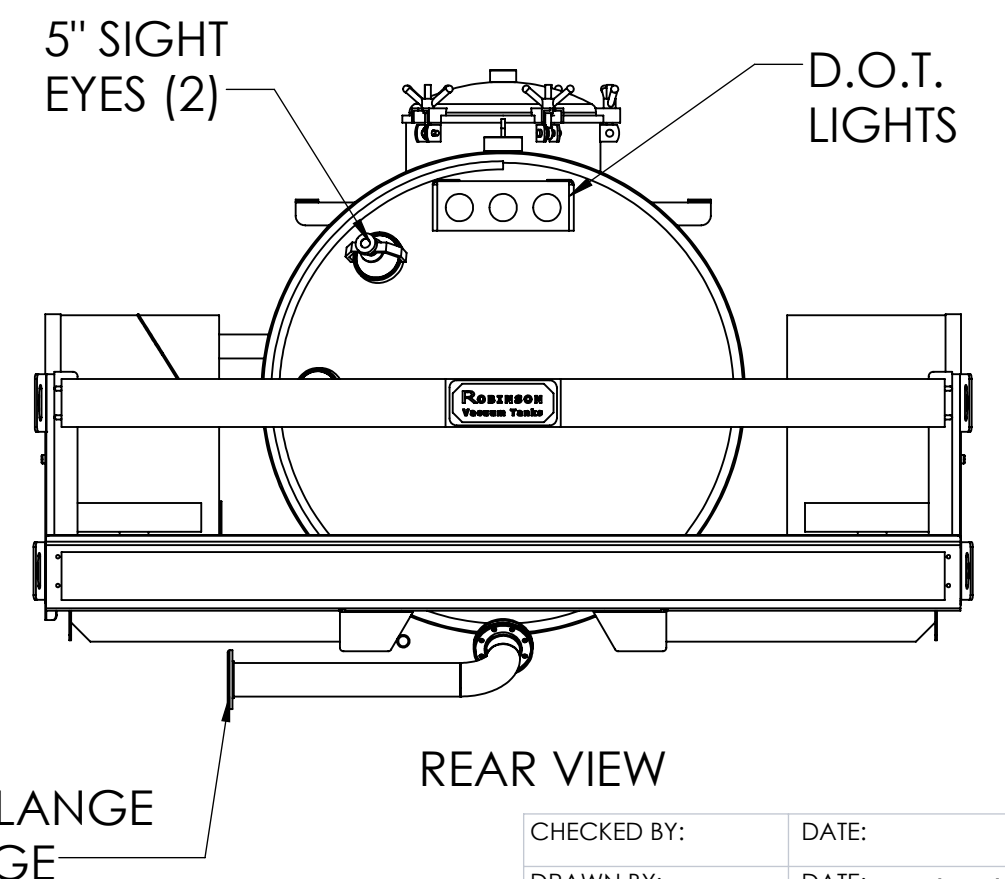
WORK LIGHTS (4)



FRONT VIEW



SIDE VIEW



REAR VIEW

RECOMMENDED CA: 84"



DATE:

SIGNATURE:

THIS CUSTOMER DRAWING CONTAINS BASIC DIMENSIONS. CONTACT US FOR MORE INFORMATION.

PROPRIETARY AND CONFIDENTIAL
THE INFORMATION CONTAINED IN THIS DRAWING IS THE SOLE PROPERTY OF ROBINSON VACUUM TANKS, INC. ANY REPRODUCTION IN PART OR AS A WHOLE WITHOUT THE WRITTEN PERMISSION OF ROBINSON VACUUM TANKS, INC. IS PROHIBITED.

CHECKED BY:	DATE:
DRAWN BY: JK	DATE: 7/15/19
FILE NAME: VTC-980-2C-50D-01A	
TITLE: VAC TANK,ST,980 GAL, 2C,50D,LS	
SIZE DWG. NO. C DWG100289A	
SCALE: 1:20 WEIGHT:	SHEET 1 OF 1