

Prepared for:
Zach Robinson
ROBINSON VACUUM TANKS
306 RUNVILLE RD
NULL
BELLEFONTE, PA 16823
Phone: 814-280-7795



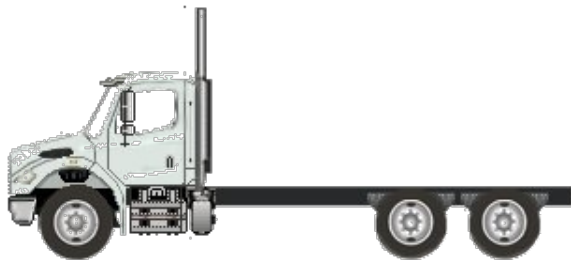
Prepared by:
Paul Moritz
TRANSWEST TRUCK TRAILER
RV
20770 E. I-76 FRONTAGE
ROAD
BRIGHTON, CO 80603
Phone: (303) 301-7409

A proposal for
ROBINSON VACUUM TANKS

Prepared by
TRANSWEST TRUCK TRAILER RV
Paul Moritz

Jan 23, 2020

Freightliner M2 106



Components shown may not reflect all spec'd options and are not to scale



Prepared for:
Zach Robinson
ROBINSON VACUUM TANKS
306 RUNVILLE RD
NULL
BELLEFONTE, PA 16823
Phone: 814-280-7795



Prepared by:
Paul Moritz
TRANSWEST TRUCK TRAILER
RV
20770 E. I-76 FRONTAGE
ROAD
BRIGHTON, CO 80603
Phone: (303) 301-7409

SPECIFICATION PROPOSAL

Description

Price Level

M2 PRL-20M (EFF:04/30/19)

Data Version

SPECPRO21 DATA RELEASE VER 001

Vehicle Configuration

M2 106 CONVENTIONAL CHASSIS
2021 MODEL YEAR SPECIFIED
SET BACK AXLE - TRUCK
STRAIGHT TRUCK PROVISION
LH PRIMARY STEERING LOCATION

General Service

TRUCK CONFIGURATION
DOMICILED, USA 50 STATES (INCLUDING CALIFORNIA AND CARB OPT-IN STATES)
UTILITY/REPAIR/MAINTENANCE SERVICE
UTILITY BUSINESS SEGMENT
LIQUID BULK COMMODITY
TERRAIN/DUTY: 100% (ALL) OF THE TIME, IN TRANSIT, IS SPENT ON PAVED ROADS
MAXIMUM 8% EXPECTED GRADE
SMOOTH CONCRETE OR ASPHALT PAVEMENT - MOST SEVERE IN-TRANSIT (BETWEEN SITES) ROAD SURFACE
MEDIUM TRUCK WARRANTY
EXPECTED FRONT AXLE(S) LOAD : 20000.0 lbs
EXPECTED REAR DRIVE AXLE(S) LOAD : 40000.0 lbs
EXPECTED GROSS VEHICLE WEIGHT CAPACITY : 60000.0 lbs

Truck Service

Application Version 11.2.113
Data Version PRL-20M.001
Robinson M2 Stock 4200



01/23/2020 12:22 PM

Prepared for:
Zach Robinson
ROBINSON VACUUM TANKS
306 RUNVILLE RD
NULL
BELLEFONTE, PA 16823
Phone: 814-280-7795



Prepared by:
Paul Moritz
TRANSWEST TRUCK TRAILER
RV
20770 E. I-76 FRONTAGE
ROAD
BRIGHTON, CO 80603
Phone: (303) 301-7409

Description

TANK BODY
EXPECTED TRUCK BODY LENGTH : 0.0 ft
GARSITE TANK
EXPECTED BODY/PAYLOAD CG HEIGHT ABOVE
FRAME "XX" INCHES : 32.0 in

Engine

CUM L9 350 HP @ 2000 RPM, 2200 GOV RPM,
1000 LB/FT @ 1400 RPM

Electronic Parameters

75 MPH ROAD SPEED LIMIT
CRUISE CONTROL SPEED LIMIT SAME AS ROAD
SPEED LIMIT
PTO MODE ENGINE RPM LIMIT - 1400 RPM
PTO MODE BRAKE OVERRIDE - SERVICE
BRAKE APPLIED
PTO RPM WITH CRUISE SET SWITCH - 1100
RPM
PTO RPM WITH CRUISE RESUME SWITCH - 1400
RPM
PTO MODE CANCEL VEHICLE SPEED - 5 MPH
PTO GOVERNOR RAMP RATE - 250 RPM PER
SECOND
ONE REMOTE PTO SPEED
PTO SPEED 1 SETTING - 1000 RPM
PTO MINIMUM RPM - 700
REGEN INHIBIT SPEED THRESHOLD - 5 MPH

Engine Equipment

2016-2019 ONBOARD DIAGNOSTICS/2010
EPA/CARB/FINAL GHG17 CONFIGURATION
2008 CARB EMISSION CERTIFICATION - CLEAN
IDLE (INCLUDES 6X4 INCH LABEL ON LEFT SIDE
OF HOOD)
STANDARD OIL PAN
ENGINE MOUNTED OIL CHECK AND FILL
ONE PIECE VALVE COVER
SIDE OF HOOD AIR INTAKE WITH FIREWALL
MOUNTED DONALDSON AIR CLEANER
DR 12V 160 AMP 28-SI QUADRAMOUNT PAD
ALTERNATOR WITH REMOTE BATTERY VOLT
SENSE



Prepared for:
Zach Robinson
ROBINSON VACUUM TANKS
306 RUNVILLE RD
NULL
BELLEFONTE, PA 16823
Phone: 814-280-7795



Prepared by:
Paul Moritz
TRANSWEST TRUCK TRAILER
RV
20770 E. I-76 FRONTAGE
ROAD
BRIGHTON, CO 80603
Phone: (303) 301-7409

Description

(2) DTNA GENUINE, FLOODED STARTING, MIN
2000CCA, 370RC, THREADED STUD BATTERIES
BATTERY BOX FRAME MOUNTED
STANDARD BATTERY JUMPERS
SINGLE BATTERY BOX FRAME MOUNTED LH
SIDE UNDER CAB
WIRE GROUND RETURN FOR BATTERY CABLES
WITH ADDITIONAL FRAME GROUND RETURN
NON-POLISHED BATTERY BOX COVER
NO CAB AUXILIARY POWER WIRING
CUMMINS TURBOCHARGED 18.7 CFM AIR
COMPRESSOR WITH INTERNAL Safety VALVE
STANDARD MECHANICAL AIR COMPRESSOR
GOVERNOR
AIR COMPRESSOR DISCHARGE LINE
ELECTRONIC ENGINE INTEGRAL SHUTDOWN
PROTECTION SYSTEM
CUMMINS EXHAUST BRAKE INTEGRAL WITH
VARIABLE GEOMETRY TURBO WITH ON/OFF
DASH SWITCH
RH OUTBOARD UNDER STEP MOUNTED
HORIZONTAL AFTERTREATMENT SYSTEM
ASSEMBLY WITH RH B-PILLAR MOUNTED
VERTICAL TAILPIPE
ENGINE AFTERTREATMENT DEVICE,
AUTOMATIC OVER THE ROAD REGENERATION
AND DASH MOUNTED REGENERATION
REQUEST SWITCH
11 FOOT 06 INCH (138 INCH+0/-5.9 INCH)
EXHAUST SYSTEM HEIGHT
STANDARD CURVE BRIGHT UPPER STACK(S)
RH CURVED VERTICAL TAILPIPE B-PILLAR
MOUNTED ROUTED FROM STEP
13 GALLON DIESEL EXHAUST FLUID TANK
100 PERCENT DIESEL EXHAUST FLUID FILL
LH MEDIUM DUTY STANDARD DIESEL EXHAUST
FLUID TANK LOCATION
STANDARD DIESEL EXHAUST FLUID PUMP
MOUNTING
STANDARD DIESEL EXHAUST FLUID TANK CAP
ALUMINUM AFTERTREATMENT
DEVICE/MUFFLER/TAILPIPE SHIELD(S)



Prepared for:
Zach Robinson
ROBINSON VACUUM TANKS
306 RUNVILLE RD
NULL
BELLEFONTE, PA 16823
Phone: 814-280-7795



Prepared by:
Paul Moritz
TRANSWEST TRUCK TRAILER
RV
20770 E. I-76 FRONTAGE
ROAD
BRIGHTON, CO 80603
Phone: (303) 301-7409

Description

HORTON DRIVEMASTER ADVANTAGE ON/OFF FAN DRIVE
AUTOMATIC FAN CONTROL WITH DASH SWITCH AND INDICATOR LIGHT, NON ENGINE MOUNTED
CUMMINS SPIN ON FUEL FILTER
COMBINATION FULL FLOW/BYPASS OIL FILTER
1100 SQUARE INCH ALUMINUM RADIATOR
ANTIFREEZE TO -34F, OAT (NITRITE AND SILICATE FREE) EXTENDED LIFE COOLANT
GATES BLUE STRIPE COOLANT HOSES OR EQUIVALENT
CONSTANT TENSION HOSE CLAMPS FOR COOLANT HOSES
RADIATOR DRAIN VALVE
LOWER RADIATOR GUARD
PHILLIPS-TEMRO 1000 WATT/115 VOLT BLOCK HEATER
CHROME ENGINE HEATER RECEPTACLE MOUNTED UNDER LH DOOR
ALUMINUM FLYWHEEL HOUSING
ELECTRIC GRID AIR INTAKE WARMER
DELCO 12V 38MT HD STARTER WITH INTEGRATED MAGNETIC SWITCH

Transmission

ALLISON 3000 RDS AUTOMATIC TRANSMISSION WITH PTO PROVISION

Transmission Equipment

ALLISON VOCATIONAL PACKAGE 223 - AVAILABLE ON 3000/4000 PRODUCT FAMILIES WITH VOCATIONAL MODELS RDS, HS, MH AND TRV
ALLISON VOCATIONAL RATING FOR ON/OFF HIGHWAY APPLICATIONS AVAILABLE WITH ALL PRODUCT FAMILIES
PRIMARY MODE GEARS, LOWEST GEAR 1, START GEAR 1, HIGHEST GEAR 6, AVAILABLE FOR 3000/4000 PRODUCT FAMILIES ONLY
SECONDARY MODE GEARS, LOWEST GEAR 1, START GEAR 1, HIGHEST GEAR 6, AVAILABLE FOR 3000/4000 PRODUCT FAMILIES ONLY



Prepared for:
Zach Robinson
ROBINSON VACUUM TANKS
306 RUNVILLE RD
NULL
BELLEFONTE, PA 16823
Phone: 814-280-7795



Prepared by:
Paul Moritz
TRANSWEST TRUCK TRAILER
RV
20770 E. I-76 FRONTAGE
ROAD
BRIGHTON, CO 80603
Phone: (303) 301-7409

Description

S5 PERFORMANCE LIMITING PRIMARY SHIFT SCHEDULE, AVAILABLE FOR 3000/4000 PRODUCT FAMILIES ONLY

S5 PERFORMANCE LIMITING SECONDARY SHIFT SCHEDULE, AVAILABLE FOR 3000/4000 PRODUCT FAMILIES ONLY

2200 RPM PRIMARY MODE SHIFT SPEED

2200 RPM SECONDARY MODE SHIFT SPEED

ENGINE BRAKE RANGE PRESELECT RECOMMENDED BY DTNA AND ALLISON, THIS DEFINED BY ENGINE AND VOCATIONAL USAGE

ENGINE BRAKE RANGE ALTERNATE PRESELECT RECOMMENDED BY DTNA AND ALLISON, THIS DEFINED BY ENGINE AND VOCATIONAL USAGE

FUEL SENSE 2.0 DISABLED - PERFORMANCE - TABLE BASED

DRIVER SWITCH INPUT - DEFAULT - NO SWITCHES

VEHICLE INTERFACE WIRING CONNECTOR WITH BLUNT CUTS, AT END OF FRAME

ELECTRONIC TRANSMISSION CUSTOMER ACCESS CONNECTOR MOUNTED END OF FRAME

(2) CUSTOMER INSTALLED MUNCIE CS10 SERIES PTO'S

PTO MOUNTING, LH AND RH SIDES OF MAIN TRANSMISSION

MAGNETIC PLUGS, ENGINE DRAIN, TRANSMISSION DRAIN, AXLE(S) FILL AND DRAIN

PUSH BUTTON ELECTRONIC SHIFT CONTROL, DASH MOUNTED

TRANSMISSION PROGNOSTICS - ENABLED 2013

WATER TO OIL TRANSMISSION COOLER, IN RADIATOR END TANK

TRANSMISSION OIL CHECK AND FILL WITH ELECTRONIC OIL LEVEL CHECK

SYNTHETIC TRANSMISSION FLUID (TES-295 COMPLIANT)

Front Axle and Equipment

DETROIT DA-F-20.0-5 20,000# FL1 71.0 KPI/3.74
DROP SINGLE FRONT AXLE



Prepared for:
Zach Robinson
ROBINSON VACUUM TANKS
306 RUNVILLE RD
NULL
BELLEFONTE, PA 16823
Phone: 814-280-7795



Prepared by:
Paul Moritz
TRANSWEST TRUCK TRAILER
RV
20770 E. I-76 FRONTAGE
ROAD
BRIGHTON, CO 80603
Phone: (303) 301-7409

Description

MERITOR 16.5X6 Q+ CAST SPIDER CAM FRONT BRAKES, DOUBLE ANCHOR, FABRICATED SHOES
NON-ASBESTOS FRONT BRAKE LINING
CONMET CAST IRON FRONT BRAKE DRUMS
FRONT OIL SEALS
VENTED FRONT HUB CAPS WITH WINDOW, CENTER AND SIDE PLUGS - OIL
STANDARD SPINDLE NUTS FOR ALL AXLES
MERITOR AUTOMATIC FRONT SLACK ADJUSTERS
TRW THP-60 POWER STEERING WITH RCH45 AUXILIARY GEAR
POWER STEERING PUMP
4 QUART POWER STEERING RESERVOIR
OIL/AIR POWER STEERING COOLER
SYNTHETIC 75W-90 FRONT AXLE LUBE

Front Suspension

20,000# TAPERLEAF FRONT SUSPENSION
MAINTENANCE FREE RUBBER BUSHINGS - FRONT SUSPENSION
FRONT SHOCK ABSORBERS

Rear Axle and Equipment

MT-40-14X 40,000# R-SERIES TANDEM REAR AXLE
5.29 REAR AXLE RATIO
IRON REAR AXLE CARRIER WITH STANDARD AXLE HOUSING
MXL 17T MERITOR EXTENDED LUBE MAIN DRIVELINE WITH HALF ROUND YOKES
MXL 17T MERITOR EXTENDED LUBE INTERAXLE DRIVELINE WITH HALF ROUND YOKES
DRIVER CONTROLLED TRACTION DIFFERENTIAL - BOTH TANDEM REAR AXLES
(1) INTERAXLE LOCK VALVE, (1) DRIVER CONTROLLED DIFFERENTIAL LOCK FORWARD-REAR AND REAR-REAR AXLE VALVE
BLINKING LAMP WITH EACH INTERAXLE LOCK SWITCH, INTERAXLE UNLOCK DEFAULT WITH IGNITION OFF



Prepared for:
Zach Robinson
ROBINSON VACUUM TANKS
306 RUNVILLE RD
NULL
BELLEFONTE, PA 16823
Phone: 814-280-7795



Prepared by:
Paul Moritz
TRANSWEST TRUCK TRAILER
RV
20770 E. I-76 FRONTAGE
ROAD
BRIGHTON, CO 80603
Phone: (303) 301-7409

Description

BLINKING LAMP WITH EACH MODE SWITCH,
DIFFERENTIAL UNLOCK WITH IGNITION OFF,
ACTIVE <5 MPH
MERITOR 16.5X7 Q+ CAST SPIDER CAM REAR
BRAKES, DOUBLE ANCHOR, FABRICATED
SHOES
NON-ASBESTOS REAR BRAKE LINING
BRAKE CAMS AND CHAMBERS ON FORWARD
SIDE OF DRIVE AXLE(S) WITH AUXILIARY
SUPPORT BRACKETS
CAST IRON OUTBOARD REAR BRAKE DRUMS
REAR OIL SEALS
WABCO TRISTOP D LONGSTROKE 2-DRIVE
AXLE SPRING PARKING CHAMBERS
MERITOR AUTOMATIC REAR SLACK
ADJUSTERS
SYNTHETIC 75W-90 REAR AXLE LUBE

Rear Suspension

AIRLINER 40,000# EXTRA DUTY REAR
SUSPENSION
AIRLINER HIGH POSITION RIDE HEIGHT
RESTRAINED AXLE SEATS IN AXLE CLAMP
GROUP
51 INCH AXLE SPACING
MANUAL DUMP VALVE FOR AIR SUSPENSION
WITHOUT GAUGE
INDICATOR LIGHT FOR EACH REAR
SUSPENSION CONTROL SWITCH
SINGLE AIR REAR SUSPENSION LEVELING
VALVE
TRANSVERSE CONTROL RODS
REAR SHOCK ABSORBERS - TWO AXLES
(TANDEM) (AIR RIDE SUSPENSION)

Brake System

AIR BRAKE PACKAGE
WABCO 4S/4M ABS
REINFORCED NYLON, FABRIC BRAID AND WIRE
BRAID CHASSIS AIR LINES
FIBER BRAID PARKING BRAKE HOSE
STANDARD BRAKE SYSTEM VALVES



Prepared for:
Zach Robinson
ROBINSON VACUUM TANKS
306 RUNVILLE RD
NULL
BELLEFONTE, PA 16823
Phone: 814-280-7795



Prepared by:
Paul Moritz
TRANSWEST TRUCK TRAILER
RV
20770 E. I-76 FRONTAGE
ROAD
BRIGHTON, CO 80603
Phone: (303) 301-7409

Description

STANDARD AIR SYSTEM PRESSURE
PROTECTION SYSTEM
STD U.S. FRONT BRAKE VALVE
RELAY VALVE WITH 5-8 PSI CRACK PRESSURE,
NO REAR PROPORTIONING VALVE
BW AD-9 BRAKE LINE AIR DRYER WITH HEATER
AIR DRYER MOUNTED INBOARD ON RH RAIL
STEEL AIR BRAKE RESERVOIRS
CLEAR FRAME RAILS FROM BACK OF CAB TO
FRONT REAR SUSPENSION BRACKET, BOTH
RAILS OUTBOARD
PULL CABLES ON ALL AIR RESERVOIR(S)

Trailer Connections

UPGRADED CHASSIS MULTIPLEXING UNIT
UPGRADED BULKHEAD MULTIPLEXING UNIT

Wheelbase & Frame

5750MM (226 INCH) WHEELBASE
11/32X3-1/2X10-15/16 INCH STEEL FRAME
(8.73MMX277.8MM/0.344X10.94 INCH) 120KSI
1/4 INCH (6.35MM) C-CHANNEL INNER FRAME
REINFORCEMENT
2550MM (100 INCH) REAR FRAME OVERHANG
FRAME OVERHANG RANGE: 91 INCH TO 100
INCH
CALC'D BACK OF CAB TO REAR SUSP C/L (CA) :
160.83 in
CALCULATED EFFECTIVE BACK OF CAB TO
REAR SUSPENSION C/L (CA) : 157.83 in
CALC'D FRAME LENGTH - OVERALL : 356.17
CALCULATED FRAME SPACE LH SIDE : 82.23 in
CALCULATED FRAME SPACE RH SIDE : 206.41
in
CALC'D SPACE AVAILABLE FOR DECKPLATE :
160.45 in
* UNDER OR OVERSLUNG CROSSMEMBER
SQUARE END OF FRAME
FRONT CLOSING CROSSMEMBER
LIGHTWEIGHT HEAVY DUTY ALUMINUM ENGINE
CROSSMEMBER



Prepared for:
Zach Robinson
ROBINSON VACUUM TANKS
306 RUNVILLE RD
NULL
BELLEFONTE, PA 16823
Phone: 814-280-7795



Prepared by:
Paul Moritz
TRANSWEST TRUCK TRAILER
RV
20770 E. I-76 FRONTAGE
ROAD
BRIGHTON, CO 80603
Phone: (303) 301-7409

Description

STANDARD CROSSMEMBER BACK OF TRANSMISSION
STANDARD MIDSHIP #1 CROSSMEMBER(S)
STANDARD REAR MOST CROSSMEMBER
HEAVY DUTY SUSPENSION CROSSMEMBER

Chassis Equipment

THREE-PIECE 14 INCH CHROMED STEEL BUMPER WITH COLLAPSIBLE ENDS
FRONT TOW HOOKS - FRAME MOUNTED
BUMPER MOUNTING FOR SINGLE LICENSE PLATE
FENDER AND FRONT OF HOOD MOUNTED FRONT MUDFLAPS
GRADE 8 THREADED HEX HEADED FRAME FASTENERS

Fuel Tanks

70 GALLON/264 LITER RECTANGULAR ALUMINUM FUEL TANK - LH
RECTANGULAR FUEL TANK(S)
PLAIN ALUMINUM/PAINTED STEEL FUEL/HYDRAULIC TANK(S) WITH PAINTED BANDS
FUEL TANK(S) FORWARD
PLAIN STEP FINISH
FUEL TANK CAP(S)
DETROIT FUEL/WATER SEPARATOR WITH WATER IN FUEL SENSOR, HAND PRIMER AND 12 VOLT PREHEATER"
EQUIFLO INBOARD FUEL SYSTEM
NO NATURAL GAS VEHICLE FUEL TANK VENT LINE/STACK
HIGH TEMPERATURE REINFORCED NYLON FUEL LINE
FUEL COOLER

Tires

BRIDGESTONE M870 315/80R22.5 20 PLY RADIAL FRONT TIRES
BRIDGESTONE M770 11R22.5 16 PLY RADIAL REAR TIRES

Hubs



Prepared for:
Zach Robinson
ROBINSON VACUUM TANKS
306 RUNVILLE RD
NULL
BELLEFONTE, PA 16823
Phone: 814-280-7795



Prepared by:
Paul Moritz
TRANSWEST TRUCK TRAILER
RV
20770 E. I-76 FRONTAGE
ROAD
BRIGHTON, CO 80603
Phone: (303) 301-7409

Description

CONMET PRESET PLUS PREMIUM IRON FRONT
HUBS

CONMET PRESET PLUS PREMIUM IRON REAR
HUBS

Wheels

ALCOA ULTRA ONE 89U64X 22.5X9.00 10-HUB
PILOT 5.99 INSET ALUMINUM FRONT WHEELS

ALCOA LVL ONE 88367X 22.5X8.25 10-HUB
PILOT ALUMINUM DISC REAR WHEELS

NO FRONT AXLE WHEEL/HUB COVER

FRONT WHEEL MOUNTING NUTS

REAR WHEEL MOUNTING NUTS

WHEEL STUDS FOR CUSTOMER INSTALLED
HUB PILOTED DUALED ALUMINUM WHEELS,
ALL

Cab Exterior

106 INCH BBC FLAT ROOF ALUMINUM
CONVENTIONAL CAB

AIR CAB MOUNTING

NONREMOVABLE BUGSCREEN MOUNTED
BEHIND GRILLE

2-1/2 INCH FENDER EXTENSIONS

LH AND RH GRAB HANDLES

HOOD MOUNTED CHROMED PLASTIC GRILLE

CHROME HOOD MOUNTED AIR INTAKE GRILLE

FIBERGLASS HOOD

SINGLE 14 INCH ROUND POLISHED AIR HORN
ROOF MOUNTED

SINGLE ELECTRIC HORN

SINGLE HORN SHIELD

DOOR LOCKS AND IGNITION SWITCH KEYED
THE SAME

KEY QUANTITY OF 2

REAR LICENSE PLATE MOUNT END OF FRAME

SWITCH, INDICATOR LIGHT AND WIRING FOR
(2) CUSTOMER FURNISHED BEACONS

INTEGRAL HEADLIGHT/MARKER ASSEMBLY
WITH CHROME BEZEL

LED AERODYNAMIC MARKER LIGHTS

DAYTIME RUNNING LIGHTS



Prepared for:
Zach Robinson
ROBINSON VACUUM TANKS
306 RUNVILLE RD
NULL
BELLEFONTE, PA 16823
Phone: 814-280-7795



Prepared by:
Paul Moritz
TRANSWEST TRUCK TRAILER
RV
20770 E. I-76 FRONTAGE
ROAD
BRIGHTON, CO 80603
Phone: (303) 301-7409

Description

INTEGRAL STOP/TAIL/BACKUP LIGHTS
STANDARD FRONT TURN SIGNAL LAMPS
NO WORK LIGHT
DUAL WEST COAST BRIGHT FINISH HEATED
MIRRORS WITH LH AND RH REMOTE
DOOR MOUNTED MIRRORS
102 INCH EQUIPMENT WIDTH
LH AND RH 8 INCH BRIGHT FINISH CONVEX
MIRRORS MOUNTED UNDER PRIMARY
MIRRORS
RH DOWN VIEW MIRROR
STANDARD SIDE/REAR REFLECTORS
DUAL LEVEL CAB ENTRY STEPS ON BOTH
SIDES
COMPOSITE EXTERIOR SUN VISOR
63X14 INCH TINTED REAR WINDOW
TINTED DOOR GLASS LH AND RH WITH TINTED
NON-OPERATING WING WINDOWS
RH AND LH ELECTRIC POWERED WINDOWS
TINTED WINDSHIELD
2 GALLON WINDSHIELD WASHER RESERVOIR
WITHOUT FLUID LEVEL INDICATOR, FRAME
MOUNTED

Cab Interior

OPAL GRAY VINYL INTERIOR
MOLDED PLASTIC DOOR PANEL WITHOUT
VINYL INSERT WITH ALUMINUM KICKPLATE
LOWER DOOR
MOLDED PLASTIC DOOR PANEL WITHOUT
VINYL INSERT WITH ALUMINUM KICKPLATE
LOWER DOOR
BLACK MATS WITH SINGLE INSULATION
DASH MOUNTED ASH TRAYS AND LIGHTER
FORWARD ROOF MOUNTED CONSOLE WITH
UPPER STORAGE COMPARTMENTS WITHOUT
NETTING
IN DASH STORAGE BIN
CENTER STORAGE CONSOLE MOUNTED ON
BACKWALL
LH DOOR MAP POCKET
(2) CUP HOLDERS LH AND RH DASH



Prepared for:
Zach Robinson
ROBINSON VACUUM TANKS
306 RUNVILLE RD
NULL
BELLEFONTE, PA 16823
Phone: 814-280-7795



Prepared by:
Paul Moritz
TRANSWEST TRUCK TRAILER
RV
20770 E. I-76 FRONTAGE
ROAD
BRIGHTON, CO 80603
Phone: (303) 301-7409

Description

GRAY/CHARCOAL FLAT DASH
SMART SWITCH EXPANSION MODULE
2-1/2 LB. FIRE EXTINGUISHER
HEATER, DEFROSTER AND AIR CONDITIONER
STANDARD HVAC DUCTING
MAIN HVAC CONTROLS WITH RECIRCULATION
SWITCH
STANDARD HEATER PLUMBING WITH BALL
SHUTOFF VALVES
VALEO HEAVY DUTY A/C REFRIGERANT
COMPRESSOR
BINARY CONTROL, R-134A
STANDARD INSULATION
SOLID-STATE CIRCUIT PROTECTION AND
FUSES
12V NEGATIVE GROUND ELECTRICAL SYSTEM
DOME DOOR ACTIVATED LH AND RH, DUAL
READING LIGHTS, FORWARD CAB ROOF
LH AND RH ELECTRIC DOOR LOCKS
(1) 12 VOLT POWER SUPPLY IN DASH
BASIC HIGH BACK AIR SUSPENSION DRIVER
SEAT WITH MECHANICAL LUMBAR AND
INTEGRATED CUSHION EXTENSION
BASIC HIGH BACK NON SUSPENSION
PASSENGER SEAT
DUAL DRIVER SEAT ARMRESTS, NO
PASSENGER SEAT ARMRESTS
LH AND RH INTEGRAL DOOR PANEL ARMRESTS
GRAY CORDURA PLUS CLOTH DRIVER SEAT
COVER
GRAY CORDURA PLUS CLOTH PASSENGER
SEAT COVER
BLACK SEAT BELTS
ADJUSTABLE TILT AND TELESCOPING
STEERING COLUMN
4-SPOKE 18 INCH (450MM) STEERING WHEEL
DRIVER AND PASSENGER INTERIOR SUN
VISORS
NO ENTRY/ACCESS/STEP WIRING

Instruments & Controls

GRAY DRIVER INSTRUMENT PANEL



Prepared for:
Zach Robinson
ROBINSON VACUUM TANKS
306 RUNVILLE RD
NULL
BELLEFONTE, PA 16823
Phone: 814-280-7795



Prepared by:
Paul Moritz
TRANSWEST TRUCK TRAILER
RV
20770 E. I-76 FRONTAGE
ROAD
BRIGHTON, CO 80603
Phone: (303) 301-7409

Description

GRAY CENTER INSTRUMENT PANEL
(2) SWITCH CUTOUPS AND BLANKS IN CENTER PANEL
ENGINE REMOTE INTERFACE WITH PARK BRAKE AND NEUTRAL INTERLOCKS
BLACK GAUGE BEZELS
LOW AIR PRESSURE INDICATOR LIGHT AND AUDIBLE ALARM
2 INCH PRIMARY AND SECONDARY AIR PRESSURE GAUGES
INTAKE MOUNTED AIR RESTRICTION INDICATOR WITH GRADUATIONS
ELECTRONIC CRUISE CONTROL WITH SWITCHES IN LH SWITCH PANEL
KEY OPERATED IGNITION SWITCH AND INTEGRAL START POSITION; 4 POSITION OFF/RUN/START/ACCESSORY
ICU3S, 132X48 DISPLAY WITH DIAGNOSTICS, 28 LED WARNING LAMPS AND DATA LINKED
HEAVY DUTY ONBOARD DIAGNOSTICS INTERFACE CONNECTOR LOCATED BELOW LH DASH
2 INCH ELECTRIC FUEL GAUGE
ENGINE REMOTE INTERFACE WITH PRESET FAST IDLE
ENGINE REMOTE INTERFACE CONNECTOR AT BACK OF CAB
ELECTRICAL ENGINE COOLANT TEMPERATURE GAUGE
2 INCH TRANSMISSION OIL TEMPERATURE GAUGE
ENGINE AND TRIP HOUR METERS INTEGRAL WITHIN DRIVER DISPLAY
(1) DASH MOUNTED PTO SWITCH WITH INDICATOR LAMP
ELECTRIC ENGINE OIL PRESSURE GAUGE
OVERHEAD INSTRUMENT PANEL
AM/FM/WB WORLD TUNER RADIO WITH BLUETOOTH AND USB AND AUXILIARY INPUTS, J1939
DASH MOUNTED RADIO
(2) RADIO SPEAKERS IN CAB



Prepared for:
Zach Robinson
ROBINSON VACUUM TANKS
306 RUNVILLE RD
NULL
BELLEFONTE, PA 16823
Phone: 814-280-7795



Prepared by:
Paul Moritz
TRANSWEST TRUCK TRAILER
RV
20770 E. I-76 FRONTAGE
ROAD
BRIGHTON, CO 80603
Phone: (303) 301-7409

Description

AM/FM ANTENNA MOUNTED ON FORWARD LH ROOF
ELECTRONIC MPH SPEEDOMETER WITH SECONDARY KPH SCALE, WITHOUT ODOMETER
STANDARD VEHICLE SPEED SENSOR
ELECTRONIC 3000 RPM TACHOMETER
IDLE LIMITER, ELECTRONIC ENGINE
ONE ON/OFF ROCKER SWITCH IN THE DASH WITH INDICATOR LIGHT WIRED TO JUNCTION BLOCK ON FRAME WITH MARKER LIGHT CIRCUIT, LABEL OPT
PRE-TRIP LAMP INSPECTION, ALL OUTPUTS FLASH, WITH SMART SWITCH
DIGITAL VOLTAGE DISPLAY INTEGRAL WITH DRIVER DISPLAY
SINGLE ELECTRIC WINDSHIELD WIPER MOTOR WITH DELAY
MARKER LIGHT SWITCH INTEGRAL WITH HEADLIGHT SWITCH
ONE VALVE PARKING BRAKE SYSTEM WITH DASH VALVE CONTROL AUTONEUTRAL AND WARNING INDICATOR
SELF CANCELING TURN SIGNAL SWITCH WITH DIMMER, WASHER/WIPER AND HAZARD IN HANDLE
INTEGRAL ELECTRONIC TURN SIGNAL FLASHER WITH HAZARD LAMPS OVERRIDING STOP LAMPS

Design

PAINT: ONE SOLID COLOR

Color

CAB COLOR A: L0006EY WHITE ELITE EY
BLACK, HIGH SOLIDS POLYURETHANE CHASSIS PAINT
SUNVISOR PAINTED SAME AS CAB COLOR A
STANDARD E COAT/UNDERCOATING

Certification / Compliance

U.S. FMVSS CERTIFICATION, EXCEPT SALES CABS AND GLIDER KITS

Secondary Factory Options



Prepared for:
Zach Robinson
ROBINSON VACUUM TANKS
306 RUNVILLE RD
NULL
BELLEFONTE, PA 16823
Phone: 814-280-7795



Prepared by:
Paul Moritz
TRANSWEST TRUCK TRAILER
RV
20770 E. I-76 FRONTAGE
ROAD
BRIGHTON, CO 80603
Phone: (303) 301-7409

Description

CORPORATE PDI CENTER IN-SERVICE ONLY
NO CUSTOMER FURNISHED MATERIAL
SPECIFIED

Raw Performance Data

CALC'D FRAME LENGTH - OVERALL : 356.17
CALCULATED EFFECTIVE BACK OF CAB TO
REAR SUSPENSION C/L (CA) : 157.83 in
CALC'D SPACE AVAILABLE FOR DECKPLATE :
160.45 in

Sales Programs

NO SALES PROGRAMS HAVE BEEN SELECTED

Extended Warranty

TOWING: 1 YEAR/UNLIMITED MILES/KM EXTENDED TOWING
COVERAGE \$550 CAP FEX APPLIES

(***) All cost increases for major components (Engines, Transmissions, Axles, Front and Rear Tires) and government mandated requirements, tariffs, and raw material surcharges will be passed through and added to factory invoices.



Prepared for:
Zach Robinson
ROBINSON VACUUM TANKS
306 RUNVILLE RD
NULL
BELLEFONTE, PA 16823
Phone: 814-280-7795



Prepared by:
Paul Moritz
TRANSWEST TRUCK TRAILER
RV
20770 E. I-76 FRONTAGE
ROAD
BRIGHTON, CO 80603
Phone: (303) 301-7409



Financing that works for you.

See your local dealer for a competitive quote from Daimler Truck Financial, or contact us at Information@dtfoffers.com.

Daimler Truck Financial offers a variety of finance, lease and insurance solutions to fit your business needs. For more information about our products and services, visit our website at www.daimler-truckfinancial.com.

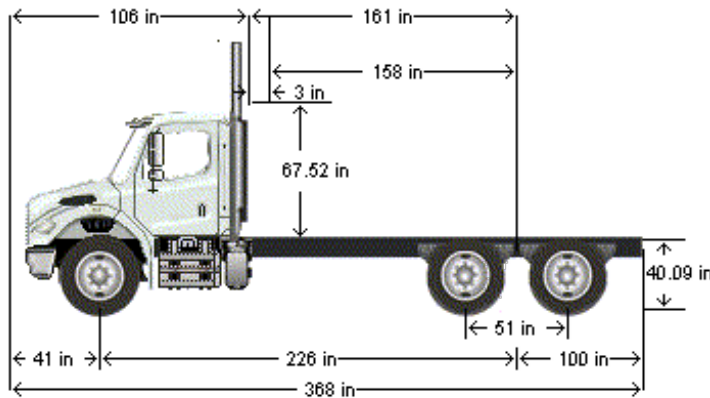


Prepared for:
 Zach Robinson
 ROBINSON VACUUM TANKS
 306 RUNVILLE RD
 NULL
 BELLEFONTE, PA 16823
 Phone: 814-280-7795



Prepared by:
 Paul Moritz
 TRANSWEST TRUCK TRAILER
 RV
 20770 E. I-76 FRONTAGE
 ROAD
 BRIGHTON, CO 80603
 Phone: (303) 301-7409

D I M E N S I O N S



VEHICLE SPECIFICATIONS SUMMARY - DIMENSIONS

Model	M2106
Wheelbase (545).....	5750MM (226 INCH) WHEELBASE
Rear Frame Overhang (552).....	2550MM (100 INCH) REAR FRAME OVERHANG
Fifth Wheel (578)	NO FIFTH WHEEL
Mounting Location (577)	NO FIFTH WHEEL LOCATION
Maximum Forward Position (in)	0
Maximum Rearward Position (in).....	0
Amount of Slide Travel (in)	0
Slide Increment (in).....	0
Desired Slide Position (in).....	0.0
Cab Size (829)	106 INCH BBC FLAT ROOF ALUMINUM CONVENTIONAL CAB
Sleeper (682)	NO SLEEPER BOX/SLEEPER CAB
Exhaust System (016).....	RH OUTBOARD UNDER STEP MOUNTED HORIZONTAL AFTERTREATMENT SYSTEM ASSEMBLY WITH RH B-PILLAR MOUNTED VERTICAL TAILPIPE

TABLE SUMMARY - DIMENSIONS



Prepared for:
 Zach Robinson
 ROBINSON VACUUM TANKS
 306 RUNVILLE RD
 NULL
 BELLEFONTE, PA 16823
 Phone: 814-280-7795



Prepared by:
 Paul Moritz
 TRANSWEST TRUCK TRAILER
 RV
 20770 E. I-76 FRONTAGE
 ROAD
 BRIGHTON, CO 80603
 Phone: (303) 301-7409

Dimensions	Inches
Bumper to Back of Cab (BBC)	106.3
Bumper to Centerline of Front Axle (BA)	40.7
Min. Cab to Body Clearance (CB)	3.0
Back of Cab to Centerline of Rear Axle(s) (CA)	160.8
Effective Back of Cab to Centerline of Rear Axle(s) (Effective CA)	157.8
Back of Cab Protrusions (Exhaust/Intake) (CP)	0.0
Back of Cab Protrusions (Side Extenders/Trim Tab) (CP)	0.0
Back of Cab Protrusions (CNG Tank)	0.0
Back of Cab Clearance (CL)	3.0
Back of Cab to End of Frame	261.2
Cab Height (CH)	67.5
Wheelbase (WB)	226.4
Frame Overhang (OH)	100.4
Overall Length (OAL)	367.5
Rear Axle Spacing	51.0
Unladen Frame Height at Centerline of Rear Axle	40.1

Performance calculations are estimates only. If performance calculations are critical, please contact Customer Application Engineering.



Prepared for:
 Zach Robinson
 ROBINSON VACUUM TANKS
 306 RUNVILLE RD
 NULL
 BELLEFONTE, PA 16823
 Phone: 814-280-7795



Prepared by:
 Paul Moritz
 TRANSWEST TRUCK TRAILER
 RV
 20770 E. I-76 FRONTAGE
 ROAD
 BRIGHTON, CO 80603
 Phone: (303) 301-7409

G V W R

VEHICLE SPECIFICATIONS SUMMARY - GVWR

Model	M2106
Cab Size (829)	106 INCH BBC FLAT ROOF ALUMINUM CONVENTIONAL CAB
Expected Front Axle(s) Load (lbs)	20000.0
Expected Pusher Axle(s) Load (lbs)	0.0
Expected Rear Axle(s) Load (lbs)	40000.0
Expected Tag Axle(s) Load (lbs)	0.0
Expected GVW (lbs)	60000
Expected GCW (lbs)	0.0
Front Axle (400)	DETROIT DA-F-20.0-5 20,000# FL1 71.0 KPI/3.74 DROP SINGLE FRONT AXLE
Front Suspension (620)	20,000# TAPERLEAF FRONT SUSPENSION
Front Hubs (418)	CONMET PRESET PLUS PREMIUM IRON FRONT HUBS
Front Disc Wheels (502)	ALCOA ULTRA ONE 89U64X 22.5X9.00 10-HUB PILOT 5.99 INSET ALUMINUM FRONT WHEELS
Front Tires (093)	BRIDGESTONE M870 315/80R22.5 20 PLY RADIAL FRONT TIRES
Front Brakes (402)	MERITOR 16.5X6 Q+ CAST SPIDER CAM FRONT BRAKES, DOUBLE ANCHOR, FABRICATED SHOES
Steering Gear (536)	TRW THP-60 POWER STEERING WITH RCH45 AUXILIARY GEAR
Rear Axle (420)	MT-40-14X 40,000# R-SERIES TANDEM REAR AXLE
Rear Suspension (622)	AIRLINER 40,000# EXTRA DUTY REAR SUSPENSION
Rear Hubs (450)	CONMET PRESET PLUS PREMIUM IRON REAR HUBS
Rear Disc Wheels (505)	ALCOA LVL ONE 88367X 22.5X8.25 10-HUB PILOT ALUMINUM DISC REAR WHEELS
Rear Tires (094)	BRIDGESTONE M770 11R22.5 16 PLY RADIAL REAR TIRES
Rear Brakes (423)	MERITOR 16.5X7 Q+ CAST SPIDER CAM REAR BRAKES, DOUBLE ANCHOR, FABRICATED SHOES
Pusher / Tag Axle (443)	NO PUSHER OR TAG AXLE
Pusher / Tag Suspension (626)	NO PUSHER OR TAG SUSPENSION
Pusher / Tag Hubs (449)	NO PUSHER OR TAG HUBS
Pusher/Tag Disc Wheels (509)	NO PUSHER/TAG DISC WHEELS
Pusher / Tag Tires (095)	NO PUSHER/TAG TIRES
Pusher / Tag Brakes (456)	NO PUSHER/TAG BRAKES

TABLE SUMMARY - GVWR



Prepared for:
 Zach Robinson
 ROBINSON VACUUM TANKS
 306 RUNVILLE RD
 NULL
 BELLEFONTE, PA 16823
 Phone: 814-280-7795



Prepared by:
 Paul Moritz
 TRANSWEST TRUCK TRAILER
 RV
 20770 E. I-76 FRONTAGE
 ROAD
 BRIGHTON, CO 80603
 Phone: (303) 301-7409

	Front	Rear 1	Rear 2
Axle Component Weight Ratings			
Axles	20000	20000	20000
Suspension	20000	20000	20000
Hubs	23000	26000	26000
Brakes	20000	21000	21000
Wheels	20000	29600	29600
Tires	20000	24020	24020
Power Steering	22000	N/A	N/A
GAWR (per axle)	20000	20000	20000
GAWR (per axle system)	20000		40000
Expected Load (per axle system)	20000		40000
Vehicle GVWR Summary			
Calculated GVWR	60000		
Expected GVWR	60000		
All weights displayed in pounds			

Performance calculations are estimates only. If performance calculations are critical, please contact Customer Application Engineering.



Prepared for:
Zach Robinson
ROBINSON VACUUM TANKS
306 RUNVILLE RD
NULL
BELLEFONTE, PA 16823
Phone: 814-280-7795



Prepared by:
Paul Moritz
TRANSWEST TRUCK TRAILER
RV
20770 E. I-76 FRONTAGE
ROAD
BRIGHTON, CO 80603
Phone: (303) 301-7409

FRAME SIDE SPACE

VEHICLE SPECIFICATIONS SUMMARY - FRAME SIDE SPACE

Model M2106
Wheelbase (545)..... 5750MM (226 INCH) WHEELBASE
Cab Size (829).....106 INCH BBC FLAT ROOF ALUMINUM CONVENTIONAL CAB
Sleeper (682) NO SLEEPER BOX/SLEEPER CAB
Exhaust System (016).....RH OUTBOARD UNDER STEP MOUNTED HORIZONTAL AFTERTREATMENT SYSTEM ASSEMBLY
WITH RH B-PILLAR MOUNTED VERTICAL TAILPIPE
Frame Side Space LH (in) 82.2289528
Frame Side Space RH (in)..... 206.4099528
Battery Box (290)..... BATTERY BOX FRAME MOUNTED
Left-Hand Fuel Tank (204)..... 70 GALLON/264 LITER RECTANGULAR ALUMINUM FUEL TANK - LH
Left-Hand Auxiliary Fuel / Oil Tank(200)..... NO LH AUXILIARY FUEL TANK
Right-Hand Fuel Tank (206) NO RH FUEL TANK
Right-Hand Auxiliary Fuel / Oil Tank(201) NO RH AUXILIARY FUEL TANK
Diesel Exhaust Fluid Tank(23U) 13 GALLON DIESEL EXHAUST FLUID TANK
Rear Fenders(583)..... NO REAR QUARTER FENDERS
Hydraulic Tank (203)..... NO HYDRAULIC OIL TANK

TABLE SUMMARY - FRAME SIDE SPACE



Prepared for:
 Zach Robinson
 ROBINSON VACUUM TANKS
 306 RUNVILLE RD
 NULL
 BELLEFONTE, PA 16823
 Phone: 814-280-7795



Prepared by:
 Paul Moritz
 TRANSWEST TRUCK TRAILER
 RV
 20770 E. I-76 FRONTAGE
 ROAD
 BRIGHTON, CO 80603
 Phone: (303) 301-7409

Dimensions (Left Side)	Inches
Max CP - Maximum value of all Cab Protrusions	3.0
Bumper to chassis zero dimension	3.3
First front axle to chassis zero dimension	37.4
Bumper to Centerline of Front Axle (BA)	40.7
Wheelbase (WB)	226.4
Frame Overhang (OH)	100.4
Overall Length (OAL)	367.5
Length of Front Tire Unladen Radius (UR)	21.4
Length of Rear Tire Unladen Radius (UR)	21.1
Length Rear Axle Spacing factor	51.0
Pusher Axle Spacing	0.0
Length of Pusher Tire Unladen Radius (UR)	0.0
Frame Space Left Side	82.2
Side Step Left Side	0.0
Exhaust Left Side	0.0
Urea Tank Left Side	13.6
Battery Box Left Side	0.0
Fuel Tank Left Side	41.6
Hydraulic Tank Left Side	0.0
Aux1 Tank Left Side	0.0
Aux2 Tank Left Side	0.0
StoreBox1 Tank Left Side	0.0
StoreBox2 Tank Left Side	0.0
Frame Step Left Side	0.0
Fender Left Side	0.0
Other1 Left Side	0.0
Other2 Left Side	0.0
Adj Left Side	0.0



Prepared for:
 Zach Robinson
 ROBINSON VACUUM TANKS
 306 RUNVILLE RD
 NULL
 BELLEFONTE, PA 16823
 Phone: 814-280-7795



Prepared by:
 Paul Moritz
 TRANSWEST TRUCK TRAILER
 RV
 20770 E. I-76 FRONTAGE
 ROAD
 BRIGHTON, CO 80603
 Phone: (303) 301-7409

Dimensions (Right Side)	Inches
Max CP - Maximum value of all Cab Protrusions	3.0
Bumper to chassis zero dimension	3.3
First front axle to chassis zero dimension	37.4
Bumper to Centerline of Front Axle (BA)	40.7
Wheelbase (WB)	226.4
Frame Overhang (OH)	100.4
Overall Length (OAL)	367.5
Length of Front Tire Unladen Radius (UR)	21.4
Length of Rear Tire Unladen Radius (UR)	21.1
Length Rear Axle Spacing factor	51.0
Pusher Axle Spacing	0.0
Length of Pusher Tire Unladen Radius (UR)	0.0
Frame Space Right Side	206.4
Side Step Right Side	0.0
Exhaust Right Side	37.6
Urea Tank Right Side	0.0
Battery Box Right Side	0.0
Fuel Tank Right Side	0.0
Hydraulic Tank Right Side	0.0
Aux1 Tank Right Side	0.0
Aux2 Tank Right Side	0.0
StoreBox1 Tank Right Side	0.0
StoreBox2 Tank Right Side	0.0
Frame Step Right Side	0.0
Fender Right Side	0.0
Other1 Right Side	0.0
Other2 Right Side	0.0
Adj Right Side	0.0

Performance calculations are estimates only. If performance calculations are critical, please contact Customer Application Engineering.

